



**MASON INDUSTRIES, Inc.**

Manufacturers of Vibration Control Products  
 NY Mailing Address: PO Box 410, Smithtown, NY 11787  
 350 Rabro Drive 2101 W. Crescent Ave., Suite D  
 Hauppauge, NY 11788 Anaheim, CA 92801  
 631/348-0282 714/535-2727  
 FAX 631/348-0279 FAX 714/535-5738  
 Info@Mason-Ind.com Info@MasonAnaheim.com

**CERTIFIED FOR**

JOB NAME :  
 CUSTOMER :  
 CUSTOMER P.O. :  
 MASON M.I. :  
 DWG. NO. :

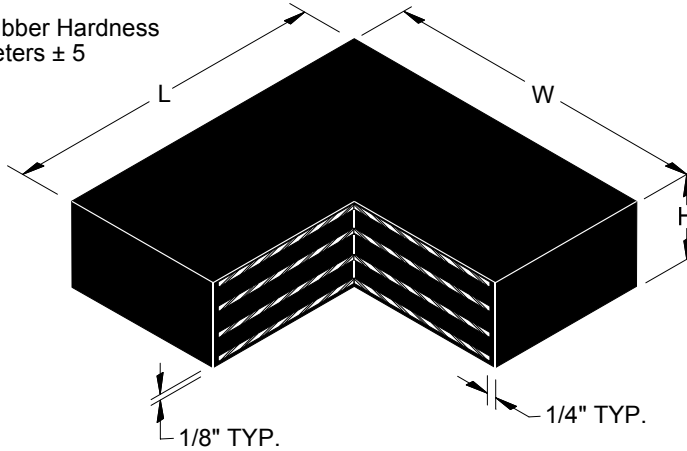
**TYPE**

**EB**

Elastomeric Bearings

**MATERIAL:**

Natural Rubber Hardness  
 60 Durometers ± 5



**TYPE EB LOAD RATINGS**

Size	Rated Capacity (lbs)		Compression Stiffness (psi)
	From	To	
MEA	70790	87645	324610
MEB	103375	128100	474285
MEC	139330	173040	640890
MED	177535	219110	811520
MEE	202255	235965	873945
MEF	235965	265180	982150
MEG	314620	377545	1398315
MEH	258440	303380	1123630

**TYPE EB METRIC LOAD RATINGS**

Size	Rated Capacity (kN)		Compression Stiffness (kN/m)
	From	To	
MEA	315	390	56800
MEB	460	570	83000
MEC	620	770	112200
MED	790	975	142000
MEE	900	1050	152940
MEF	1050	1180	171875
MEG	1290	1435	209020
MEH	1150	1350	196640

**TYPE EB DIMENSIONS (inches)**

Size	L	W	H
MEA	10 3/8	10 3/8	4
MEB	11 5/16	11 5/16	4
MEC	12 3/8	12 3/8	4
MED	13 3/16	13 3/16	4
MEE	13 13/16	13 13/16	4
MEF	15 5/16	15 5/16	4
MEG	16 5/8	16 5/8	4
MEH	22 1/16	12 9/16	4

**TYPE EB METRIC DIMENSIONS(mm)**

Size	L	W	H
MEA	263	263	102
MEB	287	287	102
MEC	314	314	102
MED	335	335	102
MEE	351	351	102
MEF	390	390	102
MEG	422	422	102
MEH	560	320	102

**CERTIFICATION DATA**

TAG : \_\_\_\_\_  
 UNIT : \_\_\_\_\_

DWN : \_\_\_\_\_ CHKD: \_\_\_\_\_ DATE : \_\_\_\_\_

DWG NO. : \_\_\_\_\_