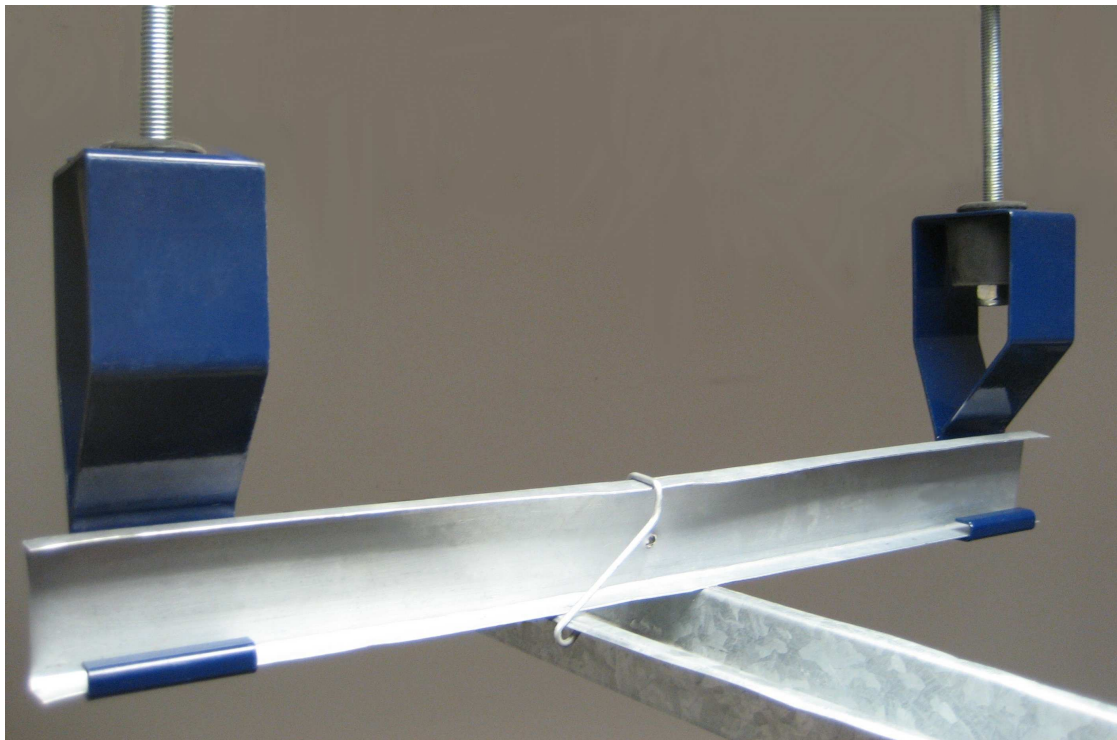




**MASON U.K.**

**VIBRATION CONTROL PRODUCTS AND  
ACOUSTIC FLOOR SYSTEMS**

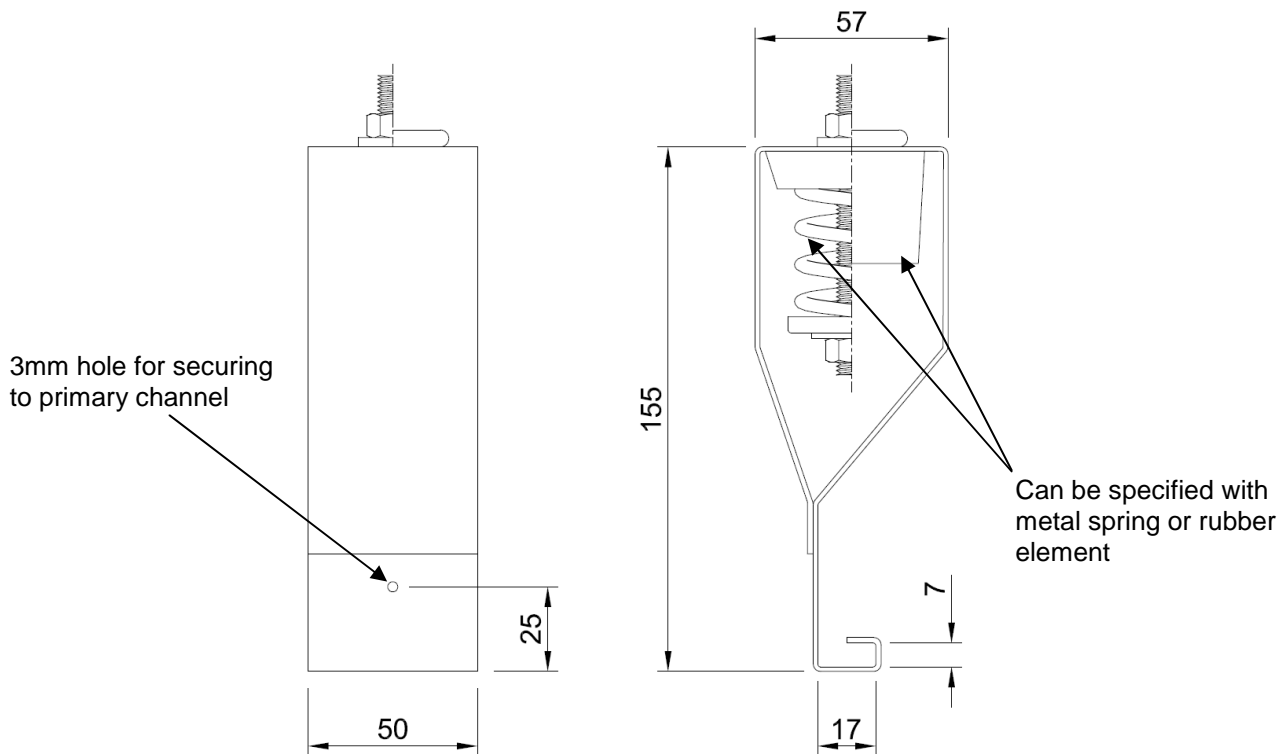
## **HDQF-A Quick Fit Ceiling Hanger**



- Allows for quick and easy installation of most metal grid ceiling systems.
- The hangers can support ceiling weights of up to 57kg per hanger.
- The rubber elements can provide up to 5mm deflection, providing acoustic isolation down to 8Hz.
- The high quality rubber element can be replaced with a variety of springs for isolation from impact and low frequency noise.

Mason U.K. Ltd.  
Unit 6 Abbey Business Park  
Monks Walk  
Farnham, Surrey  
GU9 8HT

Phone: 01252 716610  
Fax: 01252 716630  
E-mail: [info@mason-uk-co.uk](mailto:info@mason-uk-co.uk)  
Web: [www.mason-uk.co.uk](http://www.mason-uk.co.uk)



*Installation instructions:*

- Suspend hangers from soffit with threaded drop rods and self locking nuts.
- Level hangers using rotating laser.
- Rotate primary channels into the hanger bracket and fix with sheet metal screws as necessary through the hole provided.
- Clip the secondary (top hat) sections to the primary channels.
- Install plasterboard in the normal way.

	<i>Durometer</i>	<i>Max rated Capacity (kg)</i>	<i>Max rated deflection (mm)</i>	<i>Rated natural frequency (Hz)</i>
<i>HDQF-A-Black</i>	30	Up to 20	5	8
<i>HDQF-A-Green</i>	40	14-34	5	8
<i>HDQF-A-Red</i>	50	27-57	5	8
<i>HDQF-Spring</i>	Please call to discuss requirements			

Mason U.K. Ltd.  
 Unit 6 Abbey Business Park  
 Monks Walk  
 Farnham, Surrey  
 GU9 8HT

Phone: 01252 716610  
 Fax: 01252 716630  
 E-mail: [info@mason-uk.co.uk](mailto:info@mason-uk.co.uk)  
 Web: [www.mason-uk.co.uk](http://www.mason-uk.co.uk)