



# MASON INDUSTRIES, Inc.

Manufacturers of Vibration Control Products

350 Rabro Drive      2101 W. Crescent Ave., Suite D  
 Hauppauge, NY 11788      Anaheim, CA 92801  
 631/348-0282      714/535-2727  
 FAX 631/348-0279      FAX 714/535-5738  
 Info@Mason-Ind.com • www.Mason-Ind.com

JOB NAME \_\_\_\_\_

CUSTOMER \_\_\_\_\_

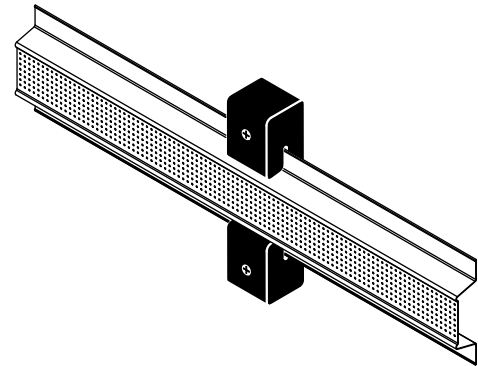
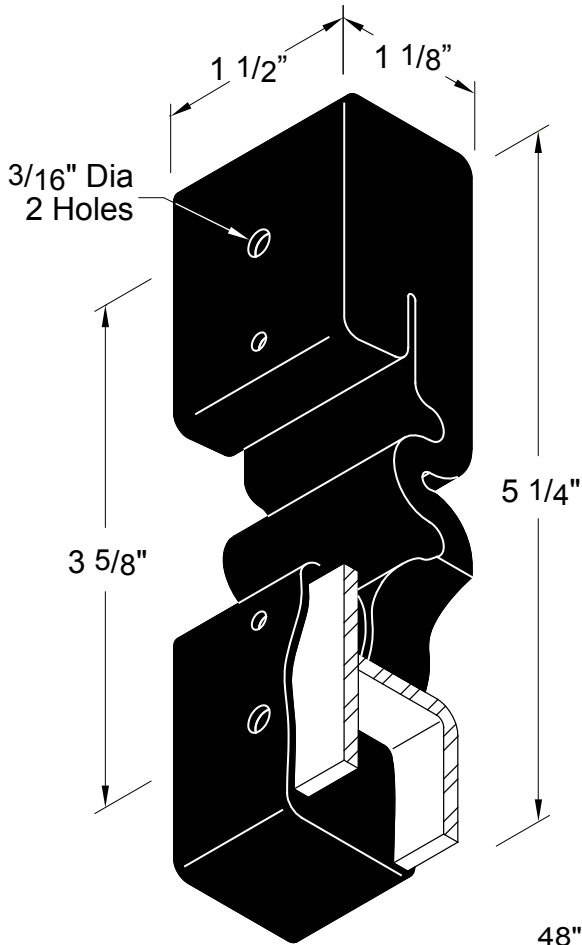
CUSTOMER P.O. \_\_\_\_\_

MASON M.I. \_\_\_\_\_

DWG. NO. \_\_\_\_\_

# AFA

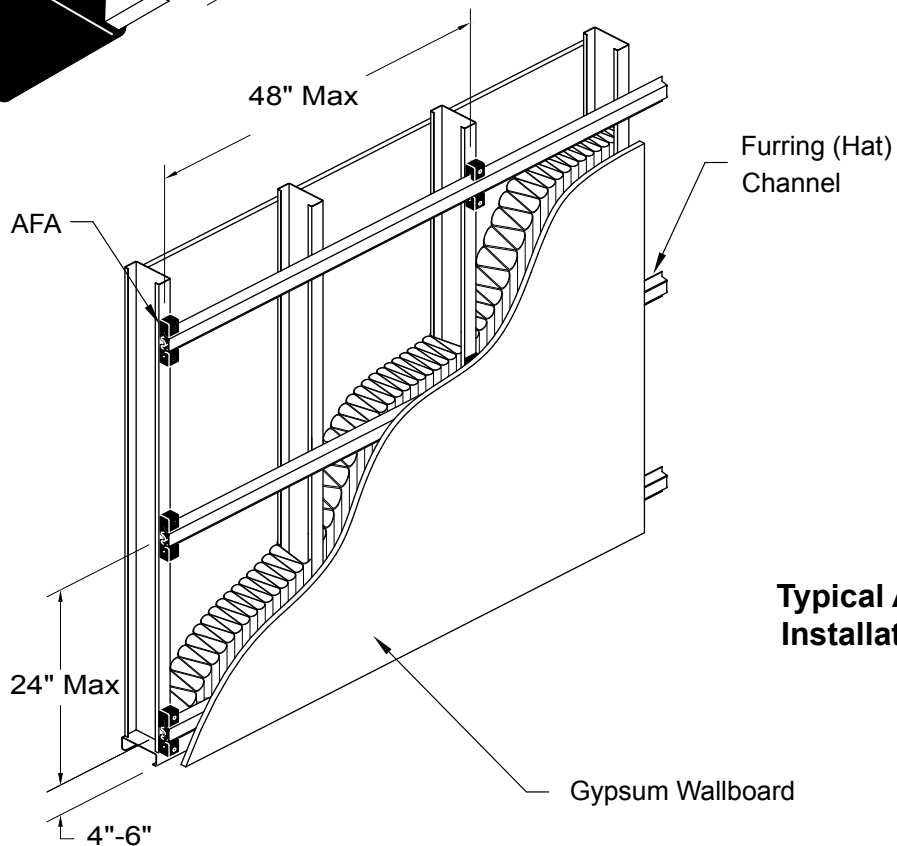
ACOUSTICAL  
FURRING  
ATTACHMENT



Material: Steel Reinforced  
LDS Natural Rubber

### AFA RATINGS

Durometer	Max Load (lbs)
50	50



**Typical AFA  
Installation**