



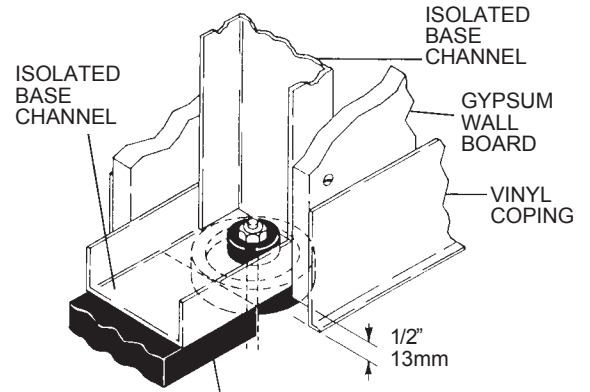
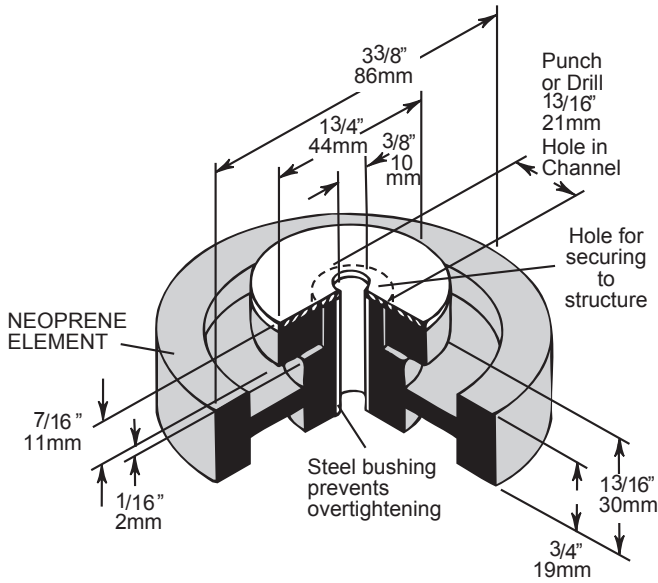
MASON INDUSTRIES, Inc.

Manufacturers of Vibration Control Products
 350 Rabro Drive 2101 W. Crescent Ave., Suite D
 Hauppauge, NY 11788 Anaheim, CA 92801
 631/348-0282 714/535-2727
 FAX 631/348-0279 FAX 714/535-5738
 Info@Mason-Ind.com Info@MasonAnaheim.com
 www.Mason-Ind.com

JOB NAME _____
 CUSTOMER _____
 CUSTOMER P.O. _____
 MASON M.I. _____
 DWG. NO. _____

NPS

NEOPRENE
PARTITION
SUPPORTS



OPTIONAL 3/4" 19mm CLOSED CELL NEOPRENE OR VINYL TO IMPROVED ACOUSTICAL LOSS

NPS LOAD RATINGS

NPS Size	Durometer	Color Code	RATED LOAD		Max Static Defl.	
			(lbs)	(kg)	(in)	(mm)
30	30	Black	140	64	0.12	2.8
40	40	Green	240	109	0.12	2.8
50	50	Red	336	152	0.12	2.8

CERTIFICATION DATA

SIZE	QTY.	TAG