



MASON U.K.

VIBRATION CONTROL PRODUCTS AND
ACOUSTIC FLOOR SYSTEMS

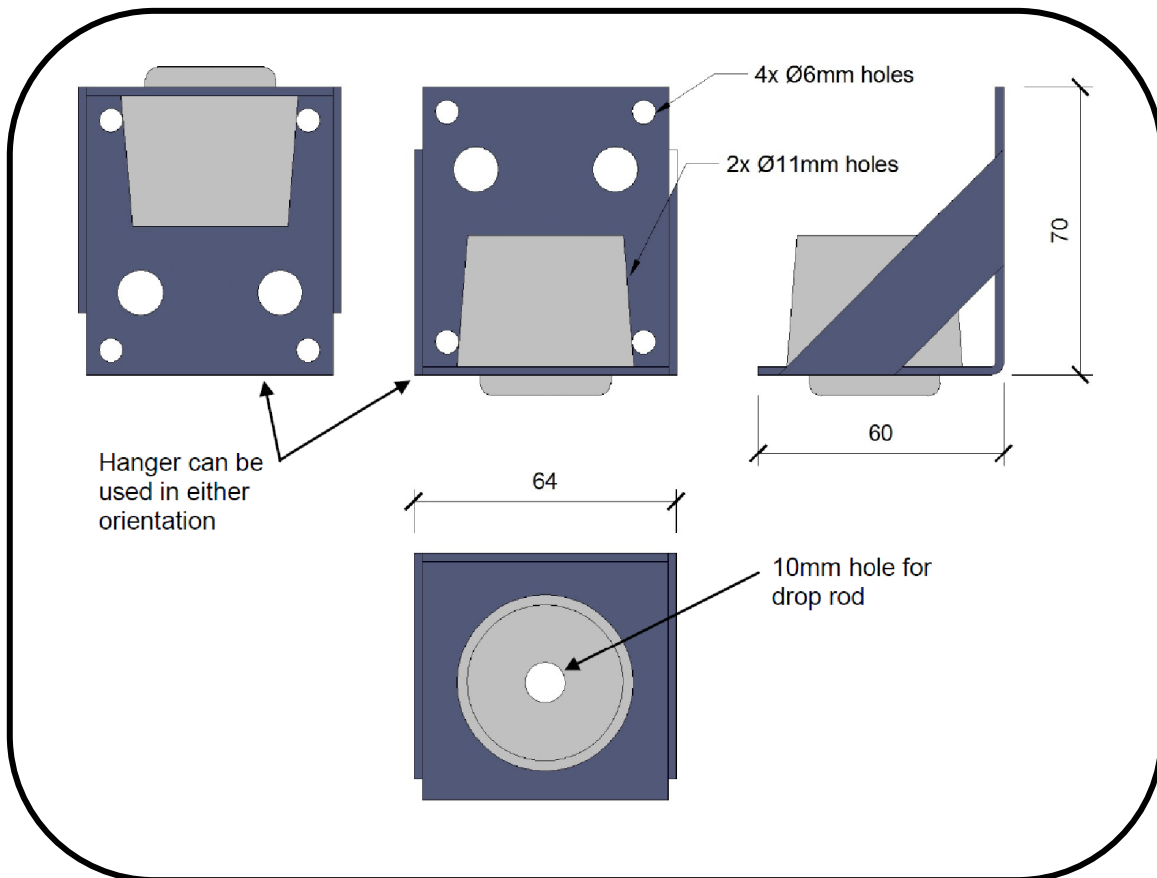
HDSM-A SIDE MOUNT CEILING HANGER



- Allows for compact suspended ceiling installations
- The hangers can support ceiling weights of up to 57kg per hanger.
- The rubber elements can provide up to 6mm deflection, providing acoustic isolation down to 8Hz.
- The hanger can be fitted with a metal spring for increased isolation.
- Can be used upside-down to resiliently hang joists from the soffit.

Mason U.K. Ltd.
Unit 6 Abbey Business Park
Monks Walk
Farnham, Surrey
GU9 8HT

Phone: 01252 716610
Fax: 01252 716630
E-mail: info@mason-uk-co.uk
Web: www.mason-uk.co.uk



	<i>Durometer</i>	<i>Mas rated Capacity (kg)</i>	<i>Max rated deflection (mm)</i>	<i>Rated natural frequency (Hz)</i>
<i>HDSM-A-Black</i>	30	Up to 20	6	8
<i>HDSM-A-Green</i>	40	14-34	6	8
<i>HDSM-A-Red</i>	50	27-57	6	8

NOTE:

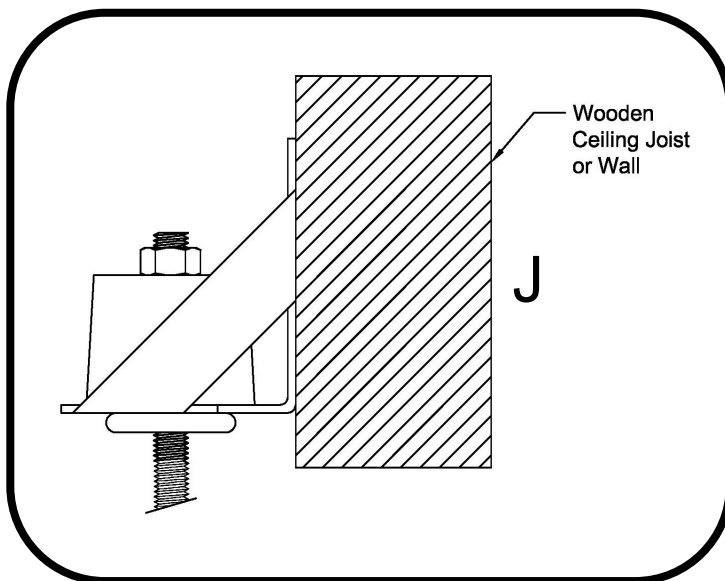
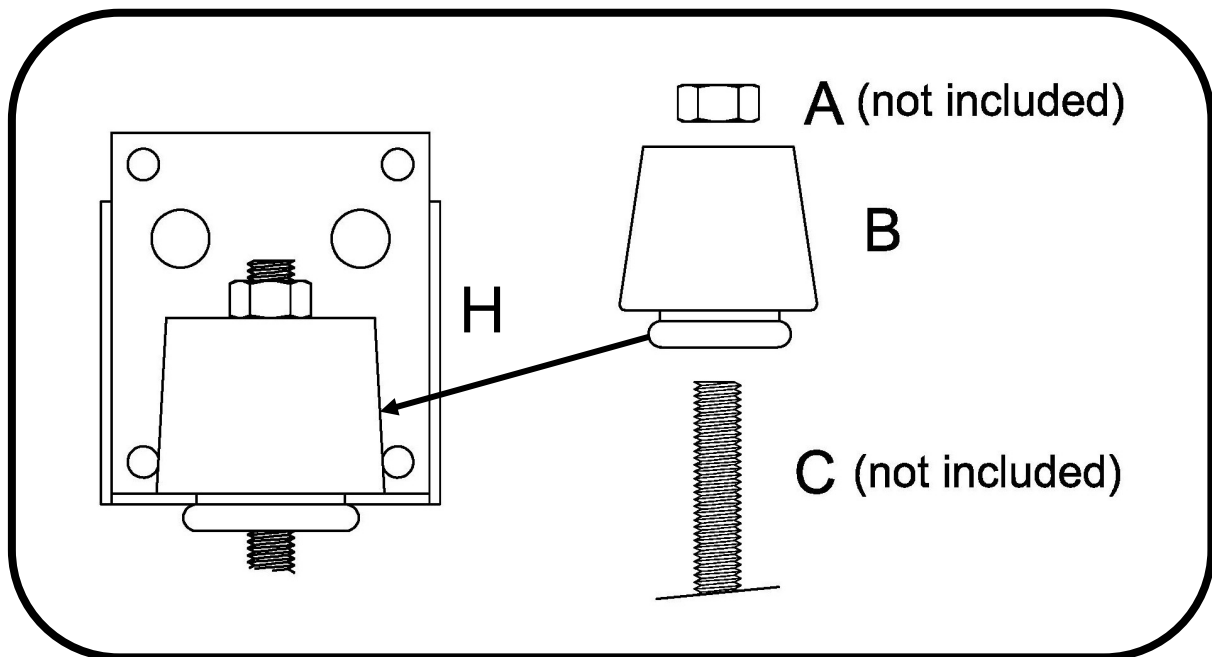
- Mason HDSM-A series LDS rubber hangers are designed to gain a deflection of approximately 6mm at rated capacity.
- Please allow for the rated deflection of the rubber hanger when installing ceiling systems.

Mason U.K. Ltd.
 Unit 6 Abbey Business Park
 Monks Walk
 Farnham, Surrey
 GU9 8HT

Phone: 01252 716610
 Fax: 01252 716630
 E-mail: info@mason-uk.co.uk
 Web: www.mason-uk.co.uk

Rods and nuts not included

Typical Installation for Mason HDSM-A Series Spring Hangers



- A. Self-locking nut (not supplied)
- B. LDS Rubber Element
- C. Drop Rod (not included)
- H. Mason Hanger Box
- J. Ceiling Joist or similar

Installation instructions:

- Fix the hanger box to side of wooden ceiling joist or suspend the hanger from the soffit using appropriate fixings (not included).
- Assemble the hanger as above.
- Install the ceiling system in the normal way.

Ensure locknuts are used throughout.

Mason U.K. Ltd.
Unit 6 Abbey Business Park
Monks Walk
Farnham, Surrey
GU9 8HT

Phone: 01252 716610
Fax: 01252 716630
E-mail: info@mason-uk-co.uk
Web: www.mason-uk.co.uk

Rods and nuts not included