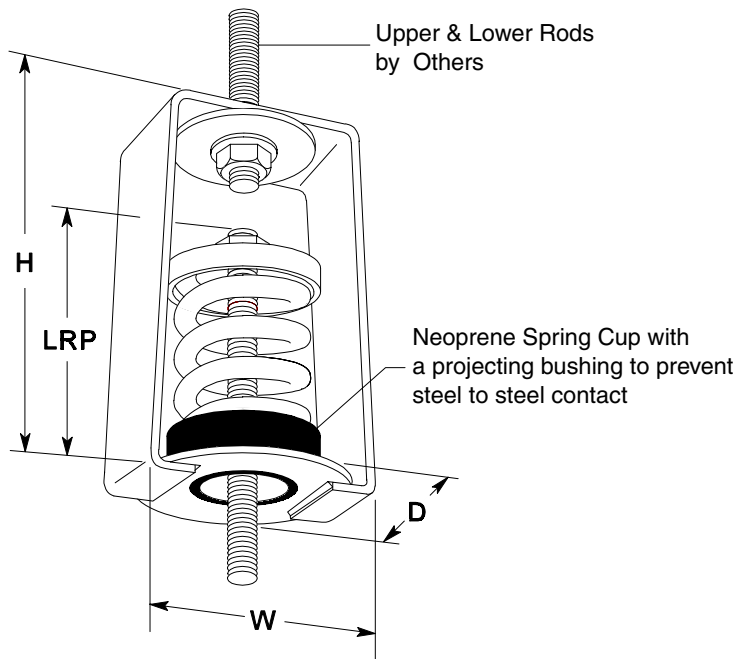




MASON INDUSTRIES, Inc.
 Manufacturers of Vibration Control Products
 NY Mailing Address: PO Box 410, Smithtown, NY 11787
 350 Rabro Drive 2101 W. Crescent Ave., Suite D
 Hauppauge, NY 11788 Anaheim, CA 92801
 631/348-0282 714/535-2727
 FAX 631/348-0279 FAX 714/535-5738
 Info@Mason-Ind.com Info@MasonAnaheim.com

CERTIFIED FOR
JOB NAME :
CUSTOMER :
CUSTOMER P.O. :
MASON M.I. :
DWG. NO. :

TYPE
HS
 25mm Deflection
 X & A Spring
 Series Hangers



TYPE HS RATINGS

Size	Rated Capacity [kg]	Rated Defl. [mm]	Spring Constant [kg/mm]	Spring Color
HS-X-23	10	33	0.3	Brown
HS-X-33	15	28	0.5	Red
HS-X-54	25	31	0.8	White
HS-X-76	35	26	1.3	Black
HS-X-113	51	25	2.0	Yellow
HS-X-130	59	25	2.3	Purple
HS-X-175	79	25	3.1	Silver
HS-X-210	95	25	3.8	Blue
HS-A-12	5	25	0.2	Red
HS-A-18	8	25	0.3	Gray
HS-A-25	11	25	0.4	Orange
HS-A-41	19	30	0.6	Pink
HS-A-56	25	29	0.9	Black
HS-A-73	33	27	1.2	Tan
HS-A-95	43	26	1.7	Green
HS-A-45	20	41	0.5	Blue
HS-A-75	34	38	0.9	Orange
HS-A-125	57	34	1.7	Brown
HS-A-200	91	29	3.1	Black
HS-A-310	141	25	5.5	Yellow
HS-A-400	182	25	7.2	Green
HS-A-510	232	25	9.1	Red
HS-A-625	284	25	11.2	White

TYPE HS DIMENSIONS (mm)

Size Range	D	H	W	LRP	MRD
HS-X-23-210	64	108	73	89	10
HS-A-12-25	70	146	83	89	16
HS-A-41-95	70	146	83	102	16
HS-A-45-125	70	146	83	102	16
HS-A-200-625	70	146	83	102	16

LRP - Lower Rod Penetration
 MRD - Maximum Rod Diameter

All springs have additional travel to solid equal to 50% of Rated Deflection.

CERTIFICATION DATA

TAG : _____

UNIT : _____

PLAN VIEW OF HANGER LOCATION :



_____ mm SPECIFIED DEFLECTION

1 :	6 :
2 :	7 :
3 :	8 :
4 :	9 :
5 :	10 :

Material for One Set : _____ Sets Required

DWN : _____ CHKD : _____ DATE : _____

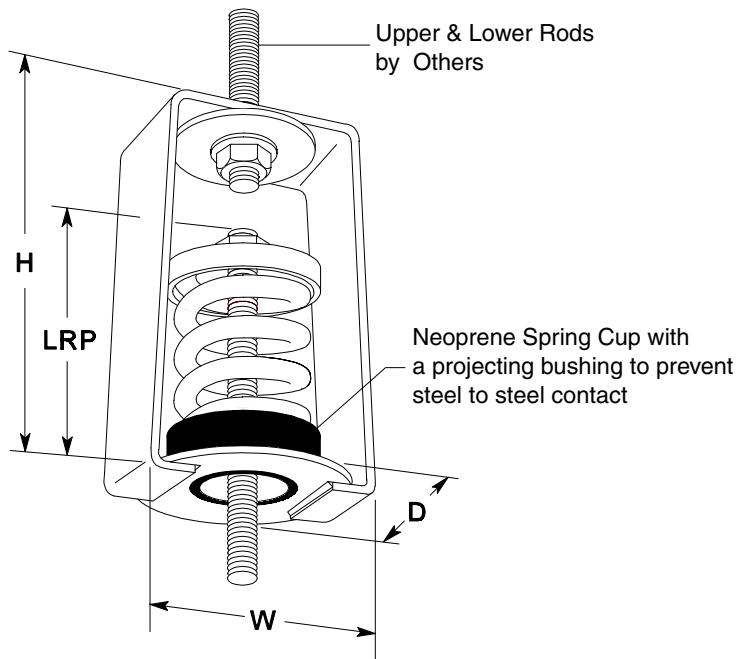
DWG NO. : _____



MASON INDUSTRIES, Inc.
 Manufacturers of Vibration Control Products
 NY Mailing Address: PO Box 410, Smithtown, NY 11787
 350 Rabro Drive 2101 W. Crescent Ave., Suite D
 Hauppauge, NY 11788 Anaheim, CA 92801
 631/348-0282 714/535-2727
 FAX 631/348-0279 FAX 714/535-5738
 Info@Mason-Ind.com Info@MasonAnaheim.com

CERTIFIED FOR
JOB NAME :
CUSTOMER :
CUSTOMER P.O. :
MASON M.I. :
DWG. NO. :

TYPE
HS
 25mm Deflection
 A, B, 1, 2 & 4 Spring
 Series Hangers



TYPE HS RATINGS

Size	Rated Capacity [kg]	Rated Defl. [mm]	Spring Constant [kg/mm]	Spring Color
HS-A-45	20	41	0.5	Blue
HS-A-75	34	38	0.9	Orange
HS-A-125	57	34	1.7	Brown
HS-A-200	91	29	3.1	Black
HS-A-310	141	25	5.5	Yellow
HS-A-400	182	25	7.2	Green
HS-A-510	232	25	9.1	Red
HS-A-625	283	25	11.2	White
HS-B-65	30	58	0.6	Brown
HS-B-85	39	53	0.7	Wht/Blk
HS-B-115	52	51	1.0	Silver
HS-B-150	68	51	1.3	Orange
HS-B-280	127	41	3.1	Green
HS-B-450	204	33	6.1	Red
HS-B-750	341	28	12.0	White
HS-B-1000	455	25	17.9	Blue
HS-1-1000	455	25	17.9	Black
HS-1-1350	614	25	24.2	Yellow
HS-1-1750	795	25	31.3	Black*
HS-1-2100	955	25	37.6	Yellow*
HS-1-2385	1084	25	42.7	Yellow**
HS-1-2650	1205	25	47.4	Red*
HS-1-2935	1334	25	52.5	Red**
HS-2-2700	1227	25	48.3	Yellow
HS-2-3500	1591	25	62.6	Black*
HS-2-4200	1909	25	75.2	Yellow*
HS-4-5400	2455	25	96.6	Yellow
HS-4-7000	3182	25	125.3	Black*
HS-4-8400	3818	25	150.3	Yellow*
HS-4-9540	2973	25	117.0	Yellow**
HS-4-10600	4818	25	189.7	Red*
HS-4-11740	5336	25	210.1	Red**

TYPE HS DIMENSIONS (mm)

Size Range	D	H	W	LRP	MRD
HS-A-45-125	70	146	83	102	16
HS-A-200-625	70	146	83	102	16
HS-B-65-100	102	184	121	108	19
HS-1-1000-2935	102	222	133	127	22
HS-2-2700-4200	229	254	133	178	25
HS-4-4500-11740	178	330	225	178	32

LRP - Lower Rod Penetration
 MRD - Maximum Rod Diameter

* with Red inner spring ** with Green inner spring
 All springs have additional travel to solid equal to 50% of Rated Deflection.

CERTIFICATION DATA

TAG : _____

UNIT : _____

PLAN VIEW OF HANGER LOCATION :



_____ mm SPECIFIED DEFLECTION

1 :	6 :
2 :	7 :
3 :	8 :
4 :	9 :
5 :	10 :

Material for One Set : _____ Sets Required

DWN : _____ CHKD: _____ DATE : _____

DWG NO. : _____