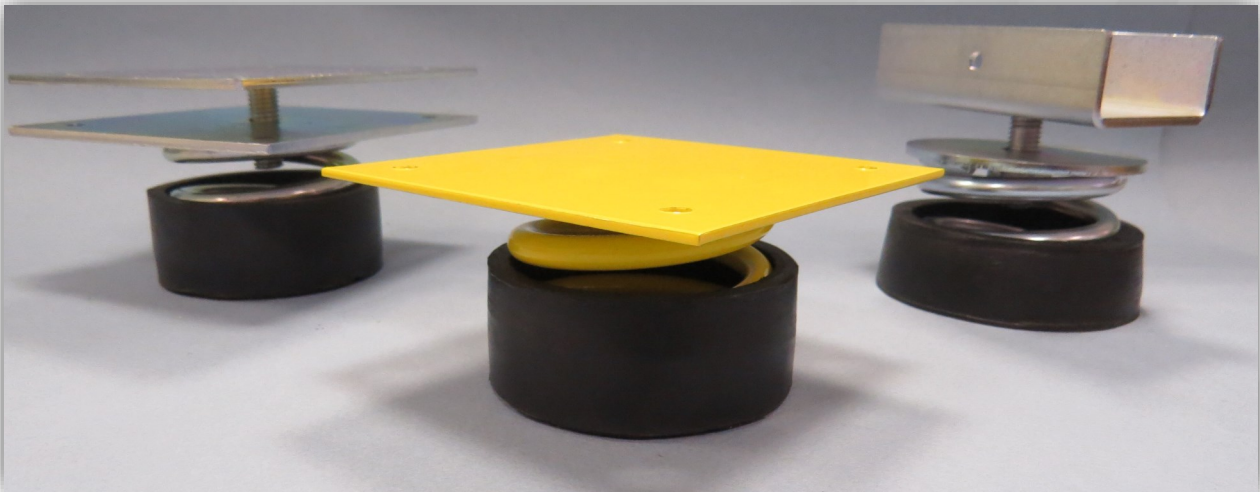




**MASON UK LTD**

Vibration Control Products  
& Acoustic Floor Systems

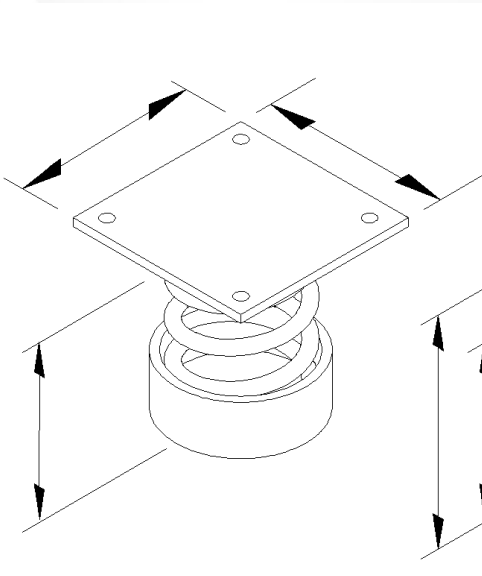
## MFS Floor Spring Mount



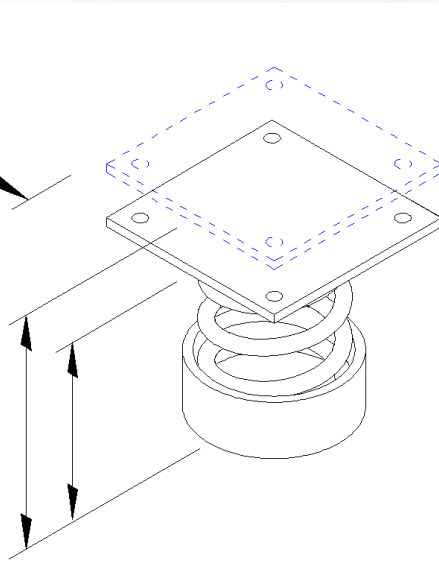
- Quick and easy installation to isolate against impact and low frequency noise.
- Adjustable design can compensate for uneven floors.
- Simple non-adjustable version available for lower cost installations.

# Product Information

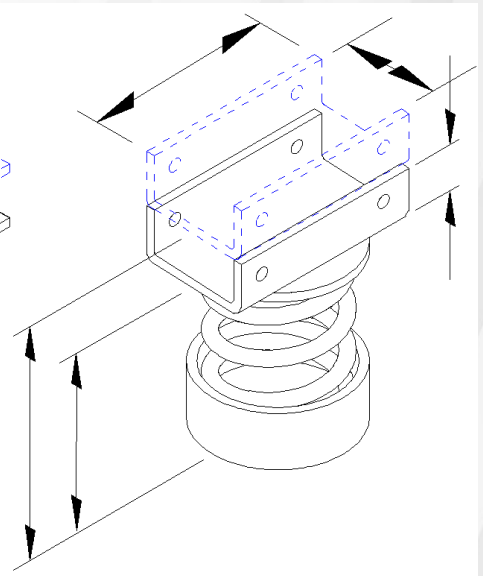
## MFS



## MFS-AF



## MFS-AJ



	MFS	MFS-AF	MFS-AJ
A (Minimum height)	50mm	54mm	54mm
B (Maximum height)	50mm	84mm	84mm
C (Plate size)	100mm	100mm	-
D	-	-	80mm
E (Maximum joist width)	-	-	48mm
F	-	-	25mm

		Rated capacity	Rated deflection	Natural frequency at rated deflection
MFS	150	67kg	6.5mm	6.2Hz
MFS-AF	200	100kg	6.5mm	6.2Hz
MFS-AJ	300	140kg	6.5mm	6.2Hz

All springs have additional travel to solid equal to 50% of rated deflection.  
Other spring configurations available upon request.