



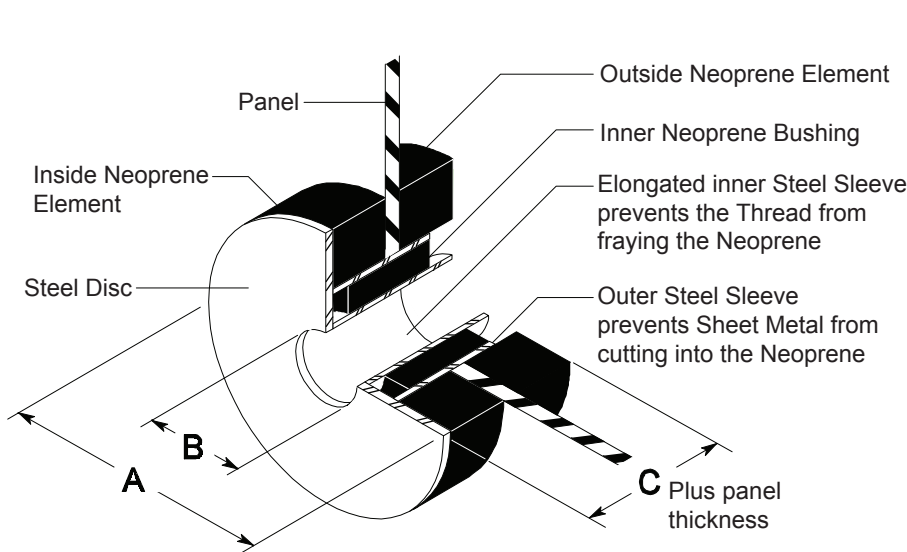
MASON INDUSTRIES, Inc.

Manufacturers of Vibration Control Products

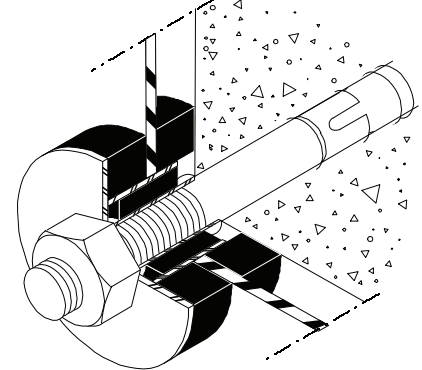
350 Rabro Drive 2101 W. Crescent Ave., Suite D
 Hauppauge, NY 11788 Anaheim, CA 92801
 631/348-0282 714/535-2727
 FAX 631/348-0279 FAX 714/535-5738
 Info@Mason-Ind.com Info@MasonAnaheim.com
 www.Mason-Ind.com

JOB NAME _____
 CUSTOMER _____
 CUSTOMER P.O. _____
 MASON M.I. _____
 DWG. NO. _____

PB
 Panel Board
 Mount



PB Mount with SAS
 Seismic Anchor Stud



All Hardware is Electro-Galvanized
 All Neoprene is Bridge Bearing Quality

TYPE PB CAPACITY and DIMENSIONS (inch)

Size	Rated Capacity (lbs)	A Dia. (in)	B Dia. (in)	C (in)	Hole Size to be drilled in Panel Board (in)	Bolt Dia. (in)
PB-150	20	1 1/2	5/16	3/4	1	1/4
PB-175	35	1 3/4	7/16	7/8	1 1/8	3/8
PB-225	75	2 1/4	9/16	1 1/8	1 1/4	1/2

TYPE PB CAPACITY and DIMENSIONS (mm)

Size	Rated Capacity (kg)	A Dia. (mm)	B Dia. (mm)	C (mm)	Hole Size to be drilled in Panel Board (mm)	Bolt Dia. (mm)
PB-150	9	38	8	19	25	6
PB-175	16	45	11	22	28	10
PB-225	32	57	14	28	31	13

BRIDGE-BEARING NEOPRENE SPECIFICATIONS

ORIGINAL PHYSICAL PROPERTIES			TESTING FOR AGING			COMPRESSION SET (e)	
(a)	(b)	(b)	(c)				
Duro-meter	Tensile Strength at Break (min)	Elongat. at Break (min)	Hardness (max)	Tensile Strength at Break (max)	Elongat. at Break (min)	Ozone by Vol.20% Strain 100°F	
40±5	2000 psi	450%	+ 15%	- 15%	- 40%	No Cracks	35% (max)
50±5	2250 psi	400%	+ 15%	- 15%	- 40%	No Cracks	35% (max)
60±5	2250 psi	350%	+ 15%	- 15%	- 40%	No Cracks	35% (max)

(a)ASTM 2240 (b)ASTM D-412 (c)ASTM D-573 (d)ASTM D-1149 (e)ASTM D-395

QUANTITY REQUIRED	PB MOUNT SIZE	TAG