



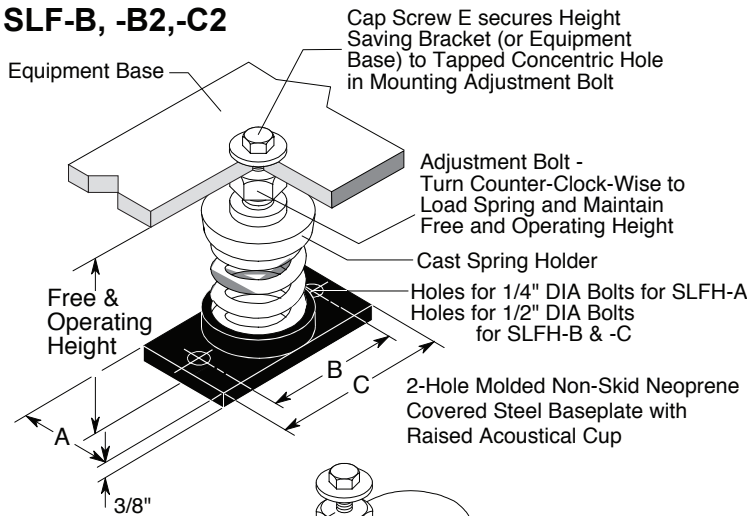
MASON INDUSTRIES, Inc.

Manufacturers of Vibration Control Products
 350 Rabro Drive 2101 W. Crescent Ave., Suite D
 Hauppauge, NY 11788 Anaheim, CA 92801
 631/348-0282 714/535-2727
 FAX 631/348-0279 FAX 714/535-5738
 Info@Mason-Ind.com Info@MasonAnaheim.com
 www.Mason-Ind.com

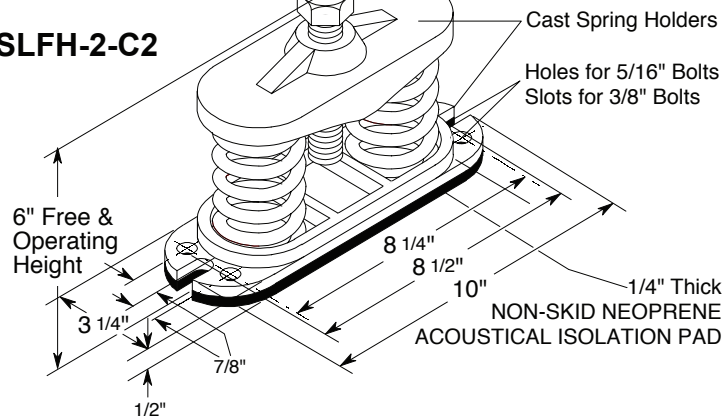
JOB NAME _____
 CUSTOMER _____
 CUSTOMER P.O. _____
 MASON M.I. _____
 DWG. NO. _____

TYPE
SLFH
 2" DEFLECTION
 B, B2, C2 & 2-C2
 SERIES MOUNTS

SLFH-B, -B2, -C2



SLFH-2-C2



TYPE SLFH RATINGS

Size	Standard Ratings			Color/Stripe	Ratings at 50% additional travel to solid	
	Rated Capacity (lbs)	Rated Defl (in)	Mount Constant (lbs/in)		Capacity (lbs)	Defl (in)
SLFH-B-20	20	2.40	8	Tan	20	2.40
SLFH-B-26	26	2.18	12	White/Blue	26	2.18
SLFH-B-35	35	2.20	16	Purple	35	2.20
SLFH-B-50	50	2.20	24	White/Red	50	2.20
SLFH-B-65	65	2.10	31	Brown	65	2.10
SLFH-B-85	85	2.10	40	White/Black	85	2.10
SLFH-B-115	115	2.00	57	Silver	115	2.00
SLFH-B-150	150	2.00	75	Orange	150	2.00
SLFH-B2-210	210	2.12	99	Silver	210	2.12
SLFH-B2-290	290	2.00	144	Blue	290	2.00
SLFH-B2-450	450	2.00	224	Tan	410	1.83
SLFH-B2-680	680	2.00	340	Gray	565	1.66
SLFH-C2-125	125	2.50	50	Purple	125	2.50
SLFH-C2-170	170	2.40	70	Brown	170	2.40
SLFH-C2-210	210	2.30	90	Red	210	2.30
SLFH-C2-260	260	2.20	120	White	260	2.20
SLFH-C2-330	330	2.00	165	Black	330	2.00
SLFH-C2-460	460	2.00	230	Blue	460	2.00
SLFH-C2-610	610	2.00	305	Green	610	2.00
SLFH-C2-880	880	2.00	440	Gray	800	1.82
SLFH-C2-1210	1210	2.00	605	Silver	1010	1.67
SLFH-C2-1540	1540	2.00	770	Gray*	1285	1.67
SLFH-C2-1870	1870	2.00	935	Silver*	1560	1.67
SLFH-2-C2-340	340	2.40	140	Brown	340	2.40
SLFH-2-C2-420	420	2.30	180	Red	420	2.30
SLFH-2-C2-520	520	2.20	240	White	520	2.20
SLFH-2-C2-660	660	2.00	330	Black	660	2.00
SLFH-2-C2-920	920	2.00	460	Blue	920	2.00
SLFH-2-C2-1220	1220	2.00	610	Green	1220	2.00
SLFH-2-C2-1760	1760	2.00	880	Gray	1600	1.82
SLFH-2-C2-2420	2420	2.00	1210	Silver	2020	1.67
SLFH-2-C2-3080	3080	2.00	1540	Gray*	2570	1.67
SLFH-2-C2-3740	3740	2.00	1870	Silver*	3120	1.67

*with RED spring inside

SLFH-B2-450, B2-680, C2-880 thru C2-1870 & 2-C2-1760 thru 2-C2-3740 mounts have minimum 25% of rated deflection additional travel to solid. The last two columns show ratings at 50% additional travel.

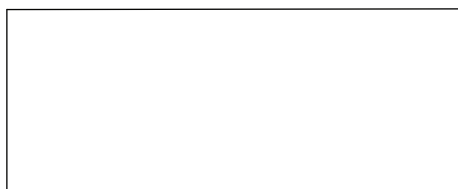
TYPE SLFH DIMENSIONS (inches)

Size	Free & Oper Height	A	B	C	Locking Cap Screw E	SPRING DATA			
						Spring OD	Free HT.	Ratio Kx/Ky	Ratio OD/OH
SLFH-B & B2	6 3/4	2 3/4	4 1/8	5 1/4	1/2x1 1/4	2 3/4	4-4 1/2	0.55-0.90	0.79-1.18
SLFH-C2	6 3/4	3	4 3/4	6	1/2x1 1/4	2 7/8	5	0.63-0.85	0.96-1.15
SLFH-2-C2	6 3/4	—	—	—	1/2x1 1/4	2 7/8	5	0.63-0.85	0.96-1.15

Multiple spring mounts have C size springs. SLFH-2 indicates 2 springs.

PLAN VIEW OF MOUNT LOCATIONS

TAG : _____
 UNIT : _____



_____ inch SPECIFIED DEFLECTION

1 :	6 :
2 :	7 :
3 :	8 :
4 :	9 :
5 :	10 :

Material for One Set : _____ Sets Required



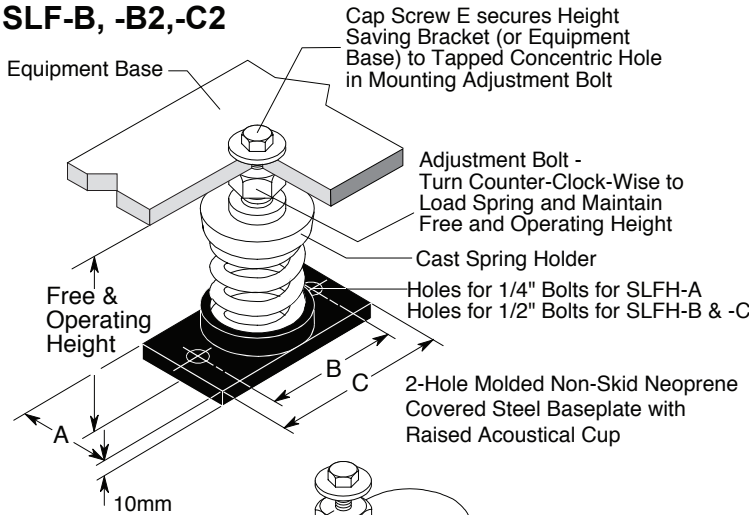
MASON INDUSTRIES, Inc.

Manufacturers of Vibration Control Products
 350 Rabro Drive 2101 W. Crescent Ave., Suite D
 Hauppauge, NY 11788 Anaheim, CA 92801
 631/348-0282 714/535-2727
 FAX 631/348-0279 FAX 714/535-5738
 Info@Mason-Ind.com Info@MasonAnaheim.com
 www.Mason-Ind.com

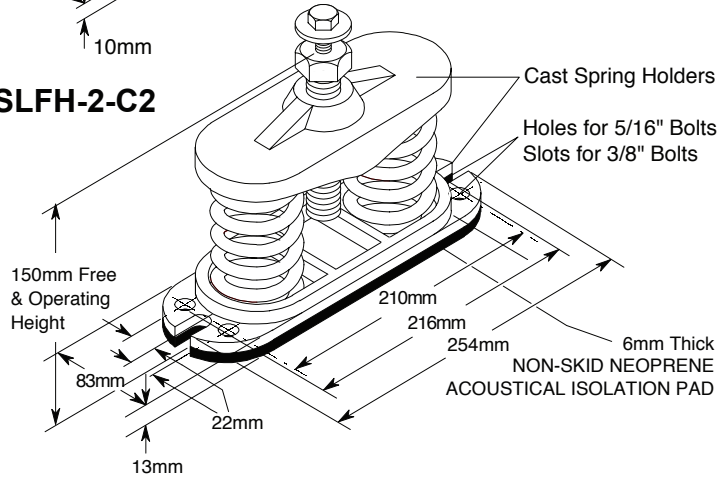
JOB NAME _____
 CUSTOMER _____
 CUSTOMER P.O. _____
 MASON M.I. _____
 DWG. NO. _____

TYPE
SLFH
 50mm DEFLECTION
 B, B2, C2 & 2-C2
 SERIES MOUNTS

SLFH-B, -B2, -C2



SLFH-2-C2



TYPE SLFH RATINGS

Size	Standard Ratings				Ratings at 50% additional travel to solid	
	Rated Capacity (kg)	Rated Defl (mm)	Mount Constant (kg/mm)	Spring Color/Stripe	Capacity (kg)	Defl (mm)
SLFH-B-20	9	61	0.2	Tan	9	61
SLFH-B-26	12	55	0.2	White/Blue	12	55
SLFH-B-35	16	56	0.3	Purple	16	56
SLFH-B-50	23	56	0.4	White/Red	23	56
SLFH-B-65	29	53	0.5	Brown	29	53
SLFH-B-85	39	53	0.7	White/Black	39	53
SLFH-B-115	52	50	1.0	Silver	52	50
SLFH-B-150	68	50	1.4	Orange	68	50
SLFH-B2-210	95	53	1.8	Silver	95	53
SLFH-B2-290	131	50	2.6	Blue	131	50
SLFH-B2-450	204	50	4.0	Tan	186	46
SLFH-B2-680	308	50	6.0	Gray	256	42
SLFH-C2-125	57	64	0.9	Purple	57	64
SLFH-C2-170	77	61	1.3	Brown	77	61
SLFH-C2-210	95	58	1.6	Red	95	58
SLFH-C2-260	118	56	2.1	White	118	56
SLFH-C2-330	149	50	2.9	Black	149	50
SLFH-C2-460	208	50	4.1	Blue	208	50
SLFH-C2-610	276	50	5.5	Green	276	50
SLFH-C2-880	399	50	8.0	Gray	362	46
SLFH-C2-1210	548	50	11.0	Silver	457	42
SLFH-C2-1540	698	50	14.0	Gray	582	42
SLFH-C2-1870	847	50	17.0	Silver	706	42
SLFH-2-C2-340	170	61	2.5	Brown	154	61
SLFH-2-C2-420	190	58	3.3	Red	190	58
SLFH-2-C2-520	236	56	4.2	White	236	56
SLFH-2-C2-660	298	50	5.9	Black	299	50
SLFH-2-C2-920	416	50	8.3	Blue	417	50
SLFH-2-C2-1220	552	50	11.0	Green	552	50
SLFH-2-C2-1760	798	50	16.0	Gray	725	46
SLFH-2-C2-2420	1096	50	22.0	Silver	915	42
SLFH-2-C2-3080	1396	50	28.0	Gray	1164	42
SLFH-2-C2-3740	1694	50	34.0	Silver	1413	42

* with RED core spring

SLFH-B2-450, B2-680, C2-880 thru C2-1870 & 2-C2-1760 thru 2-C2-3740 mounts have minimum 25% of rated deflection additional travel to solid. The last two columns show ratings at 50% additional travel.

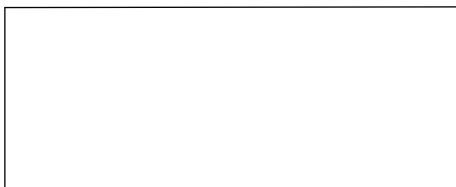
TYPE SLFH DIMENSIONS

Size	Free & Oper Height	Locking Cap Screw E			SPRING DATA				
		A	B	C	Spring OD	Free HT.	Ratio Kx/Ky	Ratio OD/OH	
SLFH-B & B2	171	70	105	133	1/2"x1 1/4"	70	102-114	0.55-0.90	0.79-1.18
SLFH-C2	171	76	121	150	1/2"x1 1/4"	73	127	0.63-0.85	0.96-1.15
SLFH-2-C2	171	—	—	—	1/2"x1 1/4"	73	127	0.63-0.85	0.96-1.15

Multiple spring mounts have C size springs. SLFH-2 indicates 2 springs.

PLAN VIEW OF MOUNT LOCATIONS

TAG : _____
 UNIT : _____



_____ inch SPECIFIED DEFLECTION

1 :	6 :
2 :	7 :
3 :	8 :
4 :	9 :
5 :	10 :

Material for One Set : _____ Sets Required