



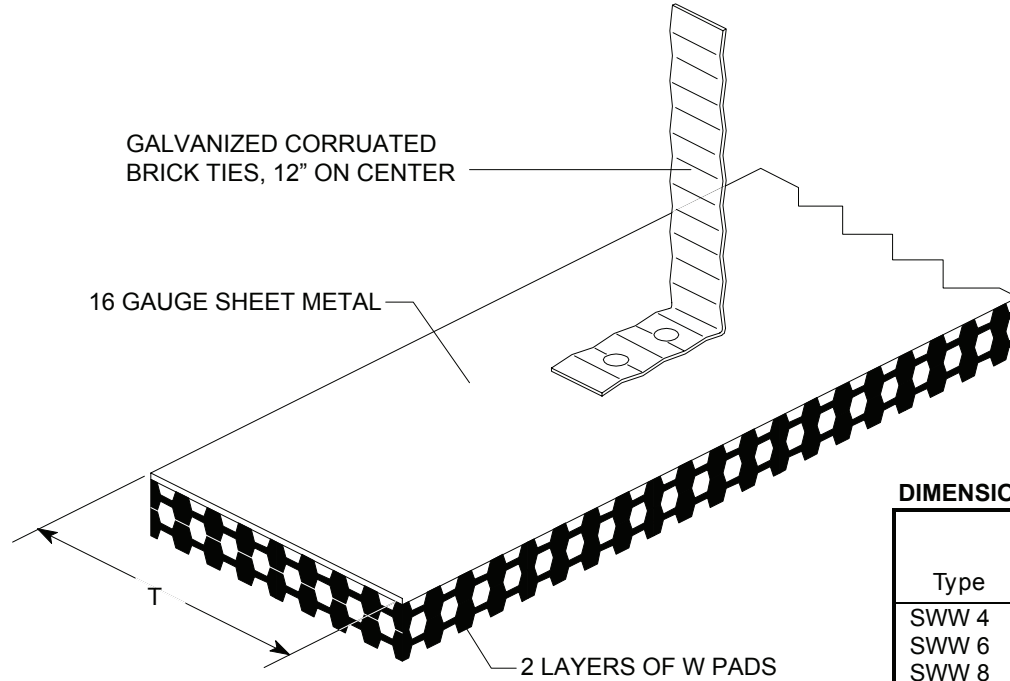
**MASON INDUSTRIES, Inc.**

Manufacturers of Vibration Control Products  
 350 Rabro Drive 2101 W. Crescent Ave., Suite D  
 Hauppauge, NY 11788 Anaheim, CA 92801  
 631/348-0282 714/535-2727  
 FAX 631/348-0279 FAX 714/535-5738  
 Info@Mason-Ind.com Info@MasonAnaheim.com  
 www.Mason-Ind.com

JOB NAME \_\_\_\_\_  
 CUSTOMER \_\_\_\_\_  
 CUSTOMER P.O. \_\_\_\_\_  
 MASON M.I. \_\_\_\_\_  
 DWG. NO. \_\_\_\_\_

**SWW**  
 Sheet Metal  
 2-Layer "W" Pad  
 Wall Support

**MATERIAL: LDS NATURAL RUBBER**



**DIMENSIONS AND LOAD RATINGS**

Type	Wall Thickness T (in)	Max. Load/ft @ 30lbs/in <sup>2</sup> (lbs)
SWW 4	4	1440
SWW 6	6	2160
SWW 8	8	2880
SWW 10	10	3600
SWW 12	12	4320

Standard 40 Durometer

SIZE	LENGTH	QTY.	TAG