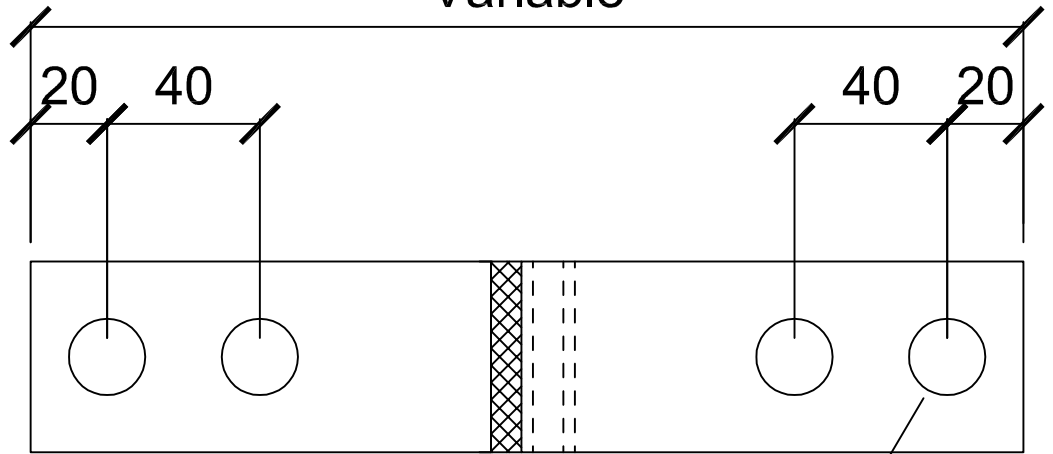




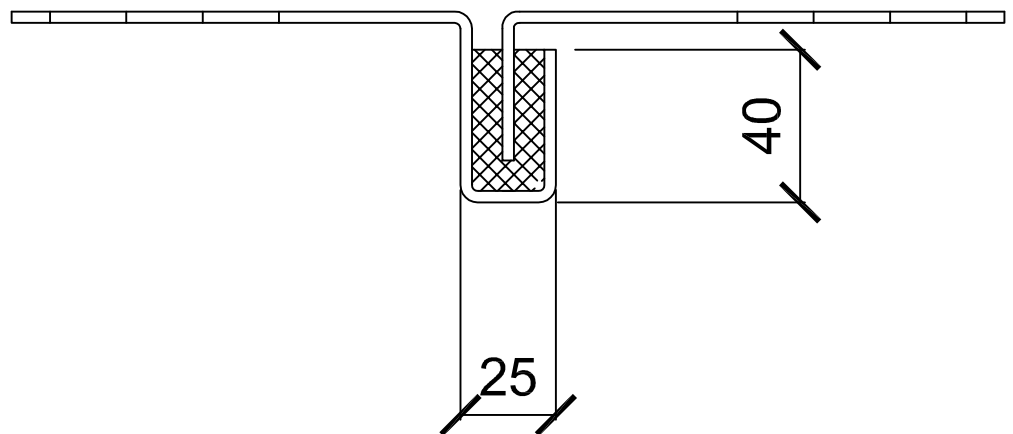
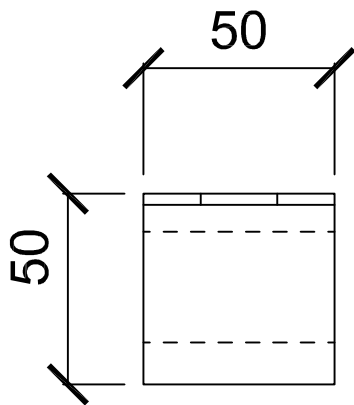
MASON UK Ltd.

TEL 01252-716610
FAX 01252-716630
6 ABBEY BUS. PARK, MONKS WALK
FARNHAM, SURREY. GU9 8HT

Variable



4 x 20mm holes



Type WIC2-SM - Special order
Acoustic wall brace
Comprised of Mason Waffle pad
and 3mm Pre Galvanised steel