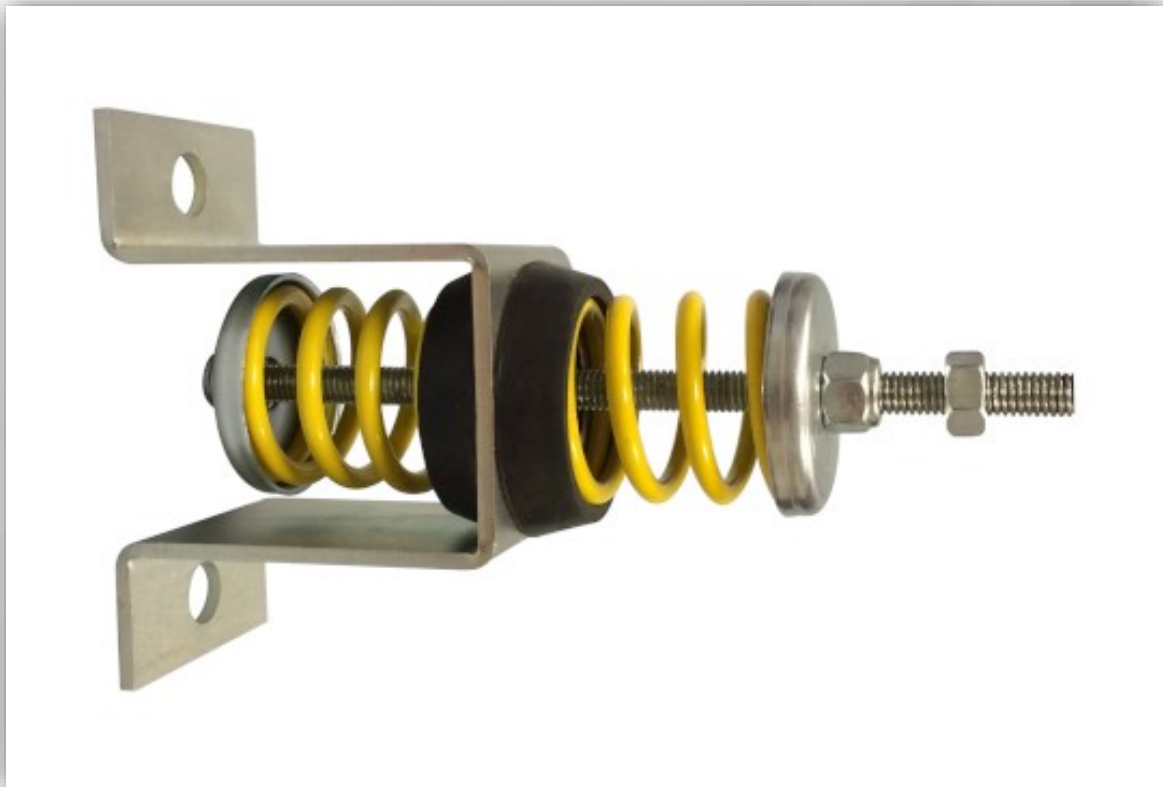




MASON UK LTD

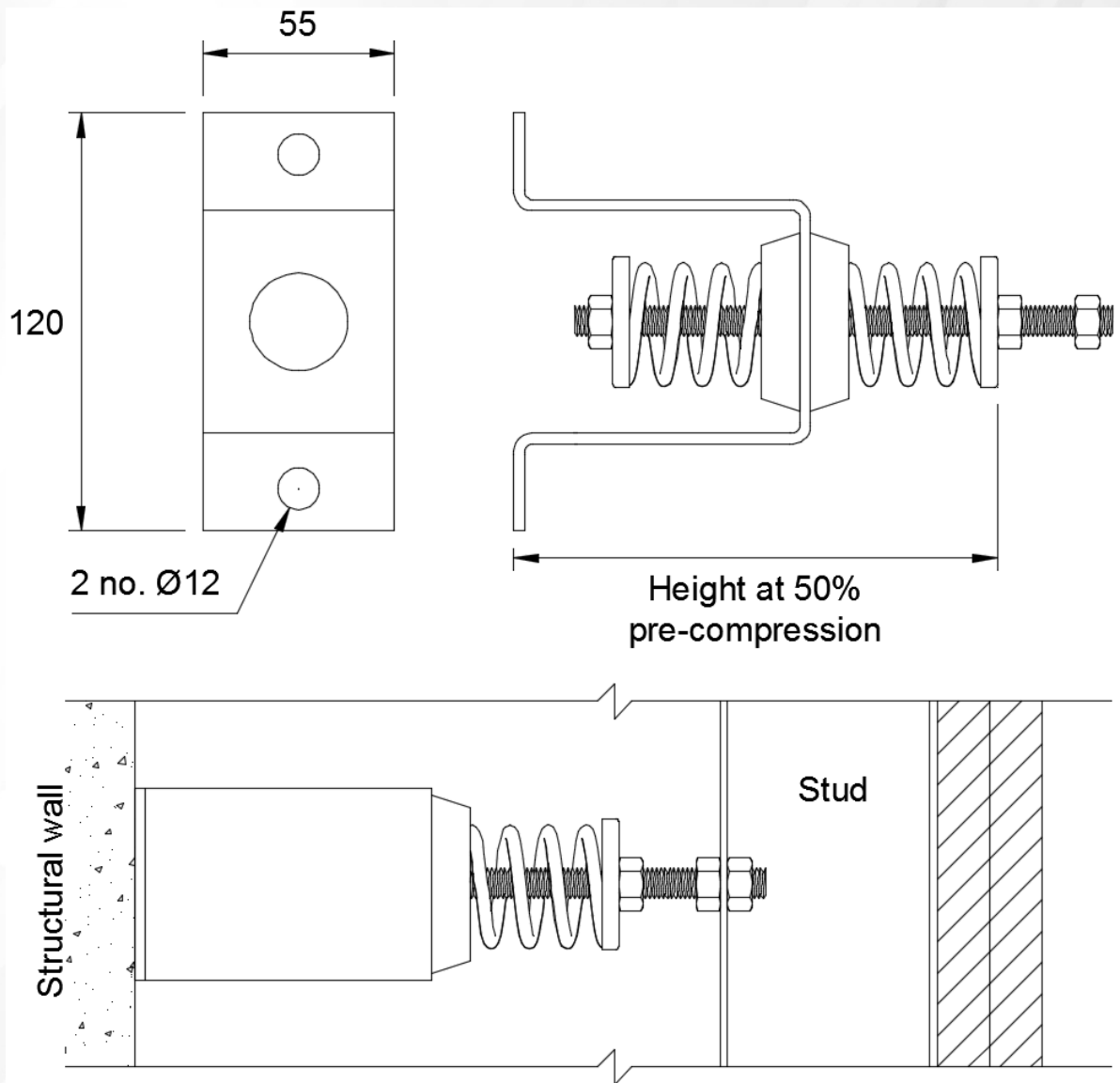
Vibration Control Products
& Acoustic Floor Systems

DSSB Double Spring Sway Brace



- Useful for resiliently mounted slam walls/rebound boards that are subject to impact loads.
- Braces provide bi-directional isolation against impact loads.
- Superior impact isolation compared to an equivalent rubber isolator.

Product Information



NOTE

- Prior to installation, springs must be pre-compressed to 50% of their rated deflection.
- Springs have an additional 50% travel to solid above rated load.
- Spring mounted walls/rebound boards must also be supported from underneath.
- 2 no. 12mm diameter fixing holes, 10mm maximum rod diameter.

	Rated load (kg)	Rated deflection (mm)	Height at 50% pre-compression (mm)
DSSB-X-113	51	25	135
DSSB-X-130	59	25	135
DSSB-X-175	79	25	142
DSSB-X-210	95	25	142