



MASON INDUSTRIES, Inc.

Manufacturers of Vibration Control Products

350 Rabro Drive
Hauppauge, NY 11788
631/348-0282
FAX 631/348-0279

2101 W. Crescent Ave., Suite D
Anaheim, CA 92801
714/535-2727
FAX 714/535-5738

Info@Mason-Ind.com • www.Mason-Ind.com

**RESTRAINED
SINGLE AND MULTIPLE
SPRING MOUNTS**

TYPE
SLR

SLR-220-1.1 BULLETIN

SLR 1" (25mm) Deflection A Spring Series
SINGLE and MULTIPLE SPRING FORMED RESTRAINED MOUNTS

"CS" CAP SCREW— Secures Height Saving Bracket (or Equipment Base) to Tapped Concentric Hole in Mounting Adjustment Bolt

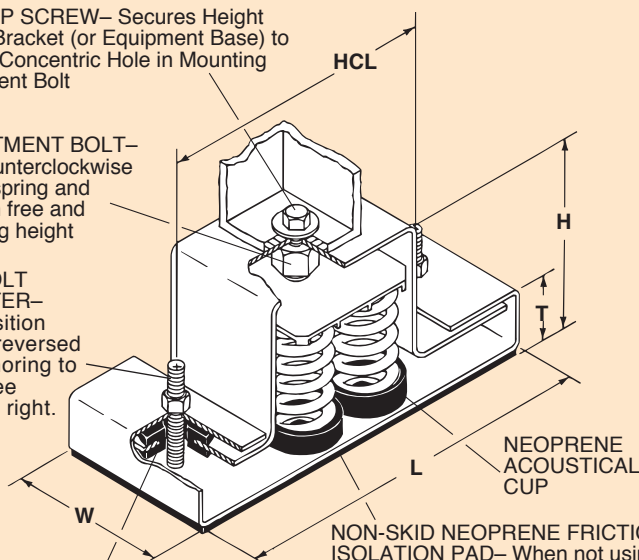
ADJUSTMENT BOLT— Turn counterclockwise to load spring and maintain free and operating height

"BD" BOLT DIAMETER— Bolt Position can be reversed for anchoring to floor. See detail at right.

NEOPRENE VERTICAL LIMIT STOPS— Out of contact during normal operation

Illustration shows a 4 spring SLR-4A. SLR-A has 1 spring and SLR-2A has 2 springs.

Mounts are galvanized.



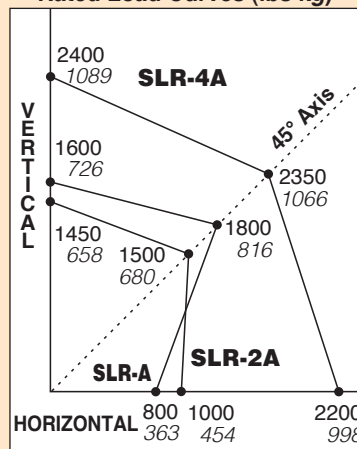
NON-SKID NEOPRENE FRICTION ISOLATION PAD— When not using for seismic or wind resistance, bolting to floor is not necessary. Pad can be removed if mounts are welded in position. See detail at right.

All springs have additional travel to solid equal to 50% of the rated deflection.

Solid Spring Height = Free Height minus 1.5 times Rated Deflection.

OSHPD OPA-0195

Rated Load Curves (lbs kg)[†]



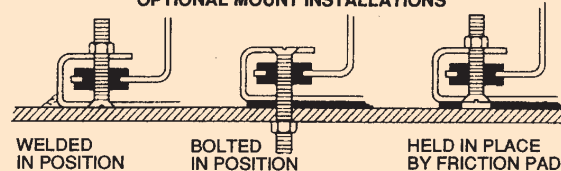
Horizontal and Vertical plotted Ratings are California OSHPD approved values having the OSHPD Anchorage Preapproval Number OPA-0195. Testing and calculations were performed to meet OSHPD criteria.

To use approved OSHPD rated load curves: 1) Calculate Vertical and Horizontal Forces on mounting including translations and overturning moments. 2) Plot Horizontal Load vs Vertical Load. The point must fall within the area below the OSHPD curve.

[†]For kN divide kg by 102

NOTE: Maximum G rating applies to mounting only without base plate

OPTIONAL MOUNT INSTALLATIONS



SLR mounts include seismic and wind restraints with code compliant all-directional neoprene bushings and 1/4" maximum air gap.

Housing load ratings expressed in max. G's are based on tests with bolted connections to steel top and bottom. SLR housings require uniform support under entire base plate.

TYPE SLR RATINGS

Type & Size	Rated Capacity (lbs) (kg)	Rated Defl (in) (mm)	Spring Constant (lbs/in)(kg/mm)	Spring Color	Max. Horiz Static G Rating [‡]
SLR-A-45	45 20	1.60 41	28 0.5	Blue	17.8
SLR-A-75	75 34	1.50 38	50 0.9	Orange	10.7
SLR-A-125	125 57	1.33 34	94 1.7	Brown	6.4
SLR-A-200	200 91	1.15 29	174 3.1	Black	4.0
SLR-A-310	310 141	1.00 25	310 5.6	Yellow	2.6
SLR-A-400	400 181	1.00 25	400 7.2	Green	2.0
SLR-A-510	510 231	1.00 25	510 9.2	Red	1.6
SLR-A-625	625 283	1.00 25	625 11.3	White	1.3
SLR-2A-620	620 281	1.00 25	620 11.2	Yellow	1.6
SLR-2A-800	800 363	1.00 25	800 14.5	Green	1.3
SLR-2A-1020	1020 463	1.00 25	1020 18.5	Red	1.0
SLR-2A-1250	1250 567	1.00 25	1250 22.7	White	0.8
SLR-4A-1240	1240 563	1.00 25	1240 22.5	Yellow	1.8
SLR-4A-1600	1600 726	1.00 25	1600 29.0	Green	1.4
SLR-4A-2040	2040 925	1.00 25	2040 37.0	Red	1.1
SLR-4A-2500	2500 1134	1.00 25	2500 45.4	White	0.9

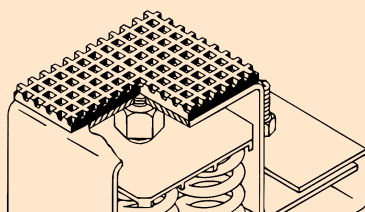
[‡]Horizontal G Ratings are for quick reference only— Use OSHPD Rated Load Curves.

TYPE SLR DIMENSIONS (inches mm)

Size	H	L	T	W	BD	CS	HCL
SLR-A	5 1/8 130	8 3/4 222	1 5/8 41	2 1/2 64	3/8 10	3/8"-16UNC x 1 3/8"-16UNC x 25	6 152
SLR-2A	5 1/8 130	11 5/8 295	1 3/4 41	2 1/2 64	3/8 10	3/8"-16UNC x 1 3/8"-16UNC x 25	8 3/4 222
SLR-4A	5 1/8 130	11 1/8 283	1 3/4 41	4 1/2 114	1/2 13	1/2"-13UNC x 1 1/4 1/2"-13UNC x 32	8 203

SPRING DATA

Size	Spring OD (in) (mm)	Free Ht. (in) (mm)	Ratio Kx/Ky	Ratio OD/OH
A	1 3/4 44	3-3 3/8 76-86	0.50-0.90	0.74-1.25



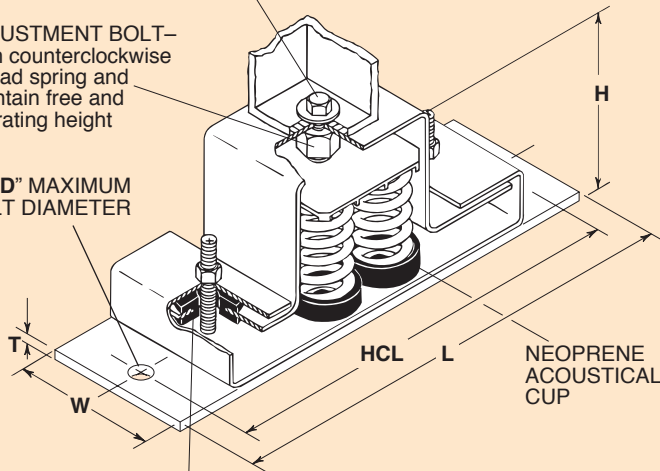
Also available as **SLRW** with 1/4" (6mm) Waffle Pad on top. Do not use for seismic or wind load applications.

SLREBP 1" (25mm) Deflection A Spring Series SINGLE and MULTIPLE SPRING FORMED RESTRAINED MOUNTS with EXTENDED BASEPLATE

"CS" CAP SCREW- Secures Height Saving Bracket (or Equipment Base) to Tapped Concentric Hole in Mounting Adjustment Bolt

ADJUSTMENT BOLT- Turn counterclockwise to load spring and maintain free and operating height

"MBD" MAXIMUM BOLT DIAMETER



NEOPRENE VERTICAL LIMIT STOPS- Out of contact during normal operation

Illustration shows a 4 spring SLREBP-4A. SLREBP-A has 1 spring and SLREBP-2A has 2 springs. Mounts are galvanized.

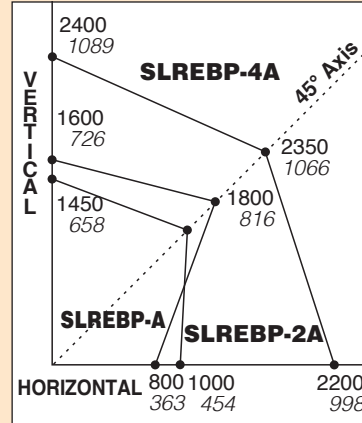
All springs have additional travel to solid equal to 50% of the rated deflection.

Solid Spring Height = Free Height minus 1.5 times Rated Deflection.

TYPE SLREBP RATINGS

Type & Size	Rated Capacity (lbs) (kg)	Rated Defl (in) (mm)	Spring Constant (lbs/in)(kg/mm)	Spring Color	Max. Horiz Static G Rating [‡]
SLREBP-A-45	45 20	1.60 41	28 0.5	Blue	17.8
SLREBP-A-75	75 34	1.50 38	50 0.9	Orange	10.7
SLREBP-A-125	125 57	1.33 34	94 1.7	Brown	6.4
SLREBP-A-200	200 91	1.15 29	174 3.1	Black	4.0
SLREBP-A-310	310 141	1.00 25	310 5.6	Yellow	2.6
SLREBP-A-400	400 181	1.00 25	400 7.2	Green	2.0
SLREBP-A-510	510 231	1.00 25	510 9.2	Red	1.6
SLREBP-A-625	625 283	1.00 25	625 11.3	White	1.3
SLREBP-2A-620	620 281	1.00 25	620 11.2	Yellow	1.6
SLREBP-2A-800	800 363	1.00 25	800 14.5	Green	1.3
SLREBP-2A-1020	1020 463	1.00 25	1020 18.5	Red	1.0
SLREBP-2A-1250	1250 567	1.00 25	1250 22.7	White	0.8
SLREBP-4A-1240	1240 563	1.00 25	1240 22.5	Yellow	1.8
SLREBP-4A-1600	1600 726	1.00 25	1600 29.0	Green	1.4
SLREBP-4A-2040	2040 925	1.00 25	2040 37.0	Red	1.1
SLREBP-4A-2500	2500 1134	1.00 25	2500 45.4	White	0.9

OSHPD OPA-0195 Rated Load Curves (lbs kg)[†]



[†]For kN divide kg by 102

Horizontal and Vertical plotted Ratings are California OSHPD approved values having the OSHPD Anchorage Preapproval Number OPA-0195. Testing and calculations were performed to meet OSHPD criteria.

To use approved OSHPD rated load curves: 1) Calculate Vertical and Horizontal Forces on mounting including translations and overturning moments. 2) Plot Horizontal Load vs Vertical Load. The point must fall within the area below the OSHPD curve.

Housing load ratings expressed in max. G's are based on tests with bolted connections to steel top and bottom. SLREBP housings require uniform support under entire base plate.

*NOTE: Maximum G rating applies to mounting only without extended base plate. Typical base plate shown. Extended base plates are submitted for approval on a job by job basis.

SLR mounts include seismic and wind restraints with code compliant all-directional neoprene bushings and 1/4" maximum air gap.

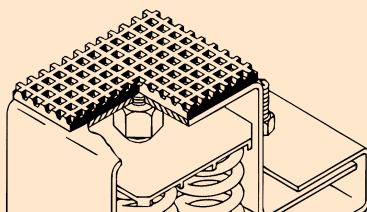
SPRING DATA

Size	Spring OD (in) (mm)	Free Ht. (in) (mm)	Ratio Kx/Ky	Ratio OD/OH
A	1 3/4 44	3-33/8 76-86	0.50-0.90	0.74-1.25

TYPE SLREBP DIMENSIONS (inches mm)

Size	H	L	T	W	CS	MBD	HCL
SLREBP-A	5 1/4 133	12 1/4 311	1/4 6	2 1/2 64	3/8"-16UNC x1 3/8"-16UNC x 25	1/2 13	10 3/4 273
SLREBP-2A	5 1/4 133	15 5/8 397	1/4 6	3 76	3/8"-16UNC x1 3/8"-16UNC x 25	5/8 16	13 7/8 352
SLREBP-4A	5 1/4 133	15 5/8 397	1/4 6	4 1/2 114	1/2"-13UNC x1 1/4 1/2"-13UNC x 32	3/4 19	13 5/8 346

[‡]Horizontal G Ratings are for quick reference only Use OSHPD Rated Load Curves.



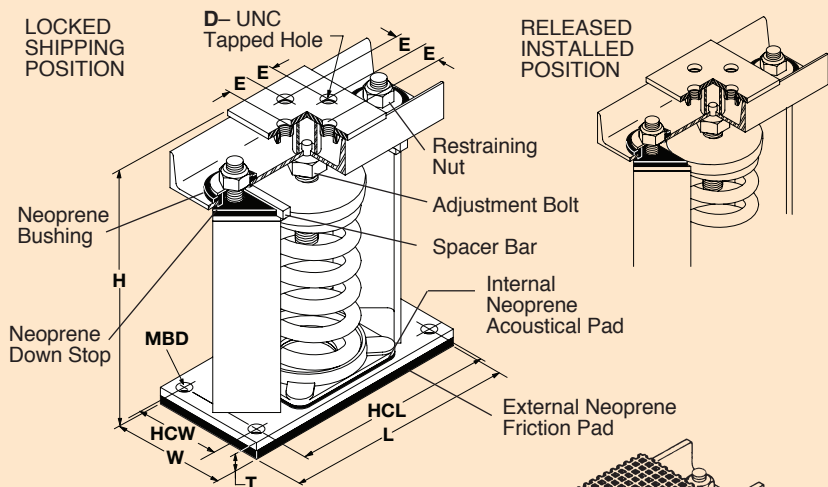
Also available as SLRWEBP with 1/4" (6mm) Waffle Pad on top. Do not use for seismic or wind load applications.

SLR100

SINGLE SPRING WELDED RESTRAINED MOUNTS

2" (50mm) Deflection 100 Spring Series (101 - 118)

3" (75mm) Deflection 100 Spring Series (126 - 143)



All springs have additional travel to solid equal to 50% of the Rated Deflection.

Solid Spring Height = Free Height minus 1.5 times Rated Deflection.

OD/OH = Ratio of Spring Outside Diameter to Operating Height = 0.82-1.15

Also available as **SLRW** with 1/4" (6mm) Waffle Pad on top. Do not use for seismic or wind load applications.

TYPE SLR100 RATINGS

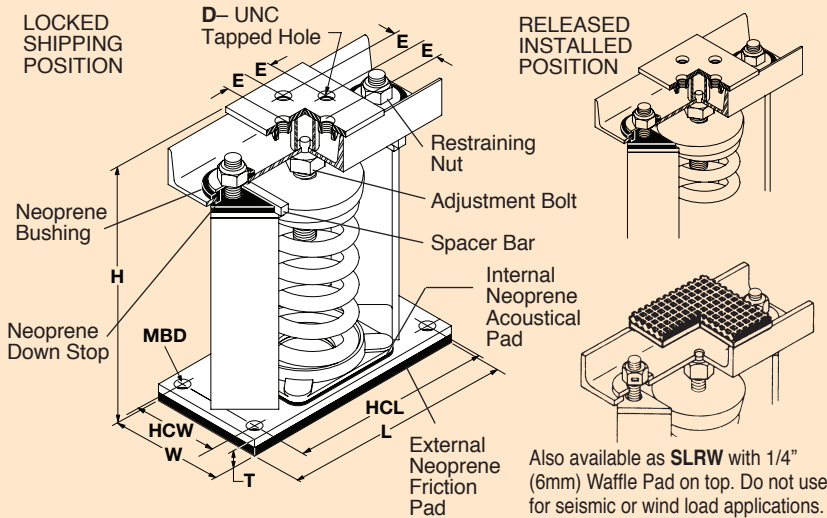
Size	Rated Capacity (lbs) (kg)		Rated Deflection (in) (mm)		Spring Constant (lbs/in) (kg/mm)		Max. G Rating
101	125	57	2.50	64	50	0.89	5.6
102	200	91	2.50	64	80	1.42	3.5
103	310	141	2.50	64	125	2.20	2.3
104	500	227	2.50	64	200	3.55	1.4
105	740	336	2.40	61	310	5.51	0.9
106	1050	476	2.10	53	500	8.98	0.7
107	1400	635	2.00	51	700	12.45	0.5
108	1660	753	2.05	52	810	14.48	1.0
109	2250	1021	2.00	51	1125	20.02	0.7
110	3000	1361	2.00	51	1500	26.69	1.3
111	4000	1814	2.00	51	2000	35.57	1.0
112	5300	2404	2.00	51	2665	47.14	0.6
113	7100	3221	2.00	51	3550	63.16	0.5
114	9300	4218	2.00	51	4650	82.71	0.5
115	12600	5715	2.00	51	6300	112.06	0.4
116	16800	7620	2.00	51	8400	149.41	0.4
117	28500	12927	2.55	65	11175	198.88	0.4
118	40000	18144	2.10	53	19000	342.34	0.4
126	195	88	3.25	83	60	1.06	3.6
127	280	127	3.25	83	85	1.53	2.5
128	390	177	3.25	83	120	2.13	1.8
129	520	236	3.25	83	160	2.84	3.1
130	710	322	3.25	83	220	3.88	2.3
131	940	426	3.25	83	290	5.13	1.7
132	1280	581	3.25	83	395	7.00	3.1
133	1770	803	3.25	83	545	9.67	1.8
134	2490	1129	3.25	83	765	13.60	1.3
135	3300	1497	3.25	83	1000	18.04	1.0
136	4500	2041	3.25	83	1370	24.59	1.1
137	6200	2818	3.25	83	1900	33.88	1.1
138	8300	3765	3.25	83	2560	45.36	0.8
139	11400	5171	3.25	83	3500	62.30	0.4
140	15200	6895	3.25	83	4685	83.07	0.5
141	20300	9208	3.25	83	6245	110.94	0.5
142	28400	12882	3.25	83	8750	155.20	0.5
143	39000	17690	3.25	83	12000	213.13	0.5

TYPE SLR100 DIMENSIONS

Size	L (in) (mm)		W (in) (mm)		H (in) (mm)		T (in) (mm)		MBD (in) (mm)		HCW (in) (mm)		HCL (in) (mm)		D (in) (mm)		E (in) (mm)		OD (in) (mm)		HT (in) (mm)		Color/Stripe
101	9	229	4 1/2	114	10 1/4	260	1/2	13	1/2	13	3 1/4	83	7 3/4	197	1/2	13	1 1/8	29	3 3/4	95	5 3/4	146	Purple
102	9	229	4 1/2	114	10 1/4	260	1/2	13	1/2	13	3 1/4	83	7 3/4	197	1/2	13	1 1/8	29	3 3/4	95	5 3/4	146	Brown
103	9	229	4 1/2	114	10 1/4	260	1/2	13	1/2	13	3 1/4	83	7 3/4	197	1/2	13	1 1/8	29	3 3/4	95	5 3/4	146	Pink
104	9	229	4 1/2	114	10 1/4	260	1/2	13	1/2	13	3 1/4	83	7 3/4	197	1/2	13	1 1/8	29	3 3/4	95	5 3/4	146	Green
105	9	229	4 1/2	114	10 1/4	260	1/2	13	1/2	13	3 1/4	83	7 3/4	197	1/2	13	1 1/8	29	3 3/4	95	5 3/4	146	Red
106	9	229	4 1/2	114	10 1/4	260	1/2	13	1/2	13	3 1/4	83	7 3/4	197	1/2	13	1 1/8	29	3 3/4	95	5 7/8	149	White
107	9	229	4 1/2	114	10 1/4	260	1/2	13	1/2	13	3 1/4	83	7 3/4	197	1/2	13	1 1/8	29	3 3/4	95	5 7/8	149	Blue
108	9 3/4	248	5	127	11 1/2	292	1/2	13	1/2	13	3 3/4	95	8 1/4	210	5/8	16	1 1/8	29	4 1/2	114	6 3/4	171	Silver
109	9 3/4	248	5	127	11 1/2	292	1/2	13	1/2	13	3 3/4	95	8 1/4	210	5/8	16	1 1/8	29	4 1/2	114	7 1/2	191	Orange
110	11 1/2	292	5 1/2	140	12	305	5/8	16	1/2	13	3 1/2	89	10	254	5/8	16	1 1/8	29	5	127	7 1/2	191	Gray
111	11 1/2	292	5 1/2	140	12	305	5/8	16	1/2	13	3 1/2	89	10	254	5/8	16	1 1/8	29	5	127	7 1/2	191	Tan
112	11 1/2	292	7	178	13 7/8	352	5/8	16	5/8	16	4 1/2	114	9 1/2	241	5/8	16	1 1/4	32	5 1/2	140	8 1/2	216	Black
113	11 1/2	292	7	178	13 7/8	352	5/8	16	5/8	16	4 1/2	114	9 1/2	241	5/8	16	1 1/4	32	6	152	8 3/4	222	Yellow
114	14	356	8	203	15	381	5/8	16	5/8	16	4 1/2	114	11 3/4	298	3/4	19	1 3/8	35	6 3/4	171	10	254	Blue/Org
115	14	356	8	203	15	381	5/8	16	5/8	16	4 1/2	114	11 3/4	298	3/4	19	1 3/8	35	6 3/4	171	10	254	Blue/Red
116	16 1/2	419	9	229	16 3/4	425	3/4	19	7/8	22	5 1/2	140	14 1/2	368	7/8	22	1 1/2	38	7 3/4	197	10 1/8	257	Blue/Wh
117	19 1/2	495	10	254	20	508	1	25	1	25	7	178	17	432	1	25	1 3/4	44	8 3/4	222	13 1/8	333	Blue/Silv
118	19 1/2	495	10	254	20	508	1	25	1	25	7	178	17	432	1	25	1 3/4	44	9 3/8	238	13 1/8	333	Blue/Gray
126	9	229	4 1/2	114	10 1/4	260	3/8	10	1/2	13	3 1/4	83	7 3/4	197	1/2	13	1 1/8	29	3 3/4	95	6 3/8	162	Purple
127	9	229	4 1/2	114	10 1/4	260	3/8	10	1/2	13	3 1/4	83	7 3/4	197	1/2	13	1 1/8	29	3 3/4	95	6 1/2	165	Brown
128	9	229	4 1/2	114	10 1/4	260	3/8	10	1/2	13	3 1/4	83	7 3/4	197	1/2	13	1 1/8	29	4	102	6 1/2	165	Orange
129	9 3/4	248	5	127	11 1/2	292	3/8	10	1/2	13	3 3/4	95	8 1/4	210	5/8	16	1 1/8	29	4	102	7	178	Green
130	9 3/4	248	5	127	11 1/2	292	3/8	10	1/2	13	3 3/4	95	8 1/4	210	5/8	16	1 1/8	29	4 1/2	114	7 1/4	184	Red
131	9 3/4	248	5	127	11 1/2	292	3/8	10	1/2	13	3 3/4	95	8 1/4	210	5/8	16	1 1/8	29	4 1/2	114	7 1/2	191	White
132	11 1/2	292	5 1/2	140	12	305	1/2	13	1/2	13	3 1/2	89	10	254	5/8	16	1 1/8	29	5	127	7 7/8	200	Blue
133	11 1/2	292	7	178	13 7/8	352	1/2	13	5/8	16	4 1/2	114	9 1/2	241	5/8	16	1 1/4	32	5 1/2	140	9 1/4	235	Black
134	11 1/2	292	7	178	13 7/8	352	1/2	13	5/8	16	4 1/2	114	9 1/2	241	5/8	16	1 1/4	32	5 1/2	140	9 1/4	235	Yellow
135	11 1/2	292	7	178	13 7/8	352	1/2	13	5/8	16	4 1/2	114	9 1/2	241	5/8	16	1 1/4	32	6	152	9 1/2	241	Gray
136	14	356	8	203	15	381	1/2	13	5/8	16	4 1/2	114	11 3/4	298	3/4	19	1 3/8	35	6 3/4	171	9 3/4	248	Blue/Brown
137	15 1/4	384	9	229	15 7/8	403	1/2	13	3/4	19	6	152	13	330	7/8	22	1 5/8	41	7 3/4	197	10 7/8	276	Blue/Org
138	15 1/4	384	9	229	15 7/8	403	1/2	13	3/4	19	6	152	13	330	7/8	22	1 5/8	41	7 3/4	197	11	279	Blue/Red
139	15 1/4	384	9	229	17 1/8	435	1/2	13	3/4	19	6	152	13	330	7/8	22	1 5/8	41	7 3/4	197	12 1/4	311	Blue/Wh
140	17 3/4	451	10	254	20	508	5/8	16	7/8	22	7	178	15	381	1	25	2	51	8 3/4	222	12 3/4	324	Blue/Silver
141	20 1/4	514	10	254	21	533	5/8	16	1	25	8	203	17	432	1	25	2	51	9 1/2	241	13 1/2	343	Blue/Gray
142	21	533	11	279	21 3/4	552	5/8	16	1	25	8 3/4	222	17 3/4	451	1	25	2	51	10 1/4	260	15	381	Blue/Grn
143	22	559	12	305	22 7/8	581	5/8	16	1	25	10	254	18 3/4	476	1	25	2	51	11	279	16 1/8	410	Blue/Yellow

SLR100 SINGLE SPRING WELDED RESTRAINED MOUNTS

4" (100mm) Deflection 100 Spring Series (150 - 164)



TYPE SLR100 4" RATINGS

Size	Rated Capacity (lbs) (kg)	Rated Deflection (in) (mm)	Spring Constant (lbs/in) (kg/mm)	Max. G Rating
150	240	109	4.38 111	16.7
151	330	150	4.38 111	12.1
152	420	191	4.38 111	9.5
153	530	240	4.38 111	7.5
154	680	308	4.38 111	4.7
155	880	399	4.38 111	3.6
156	1120	508	4.38 111	4.5
157	1420	644	4.38 111	3.5
158	1840	835	4.38 111	2.7
159	2370	1075	4.38 111	3.0
160	3000	1361	4.38 111	1.7
161	3900	1769	4.38 111	1.3
162	5100	2313	4.38 111	1.6
163	6500	2948	4.38 111	1.2
164	8400	3810	4.38 111	1.0
165	10800	4899	4.38 111	1.0
166	13800	6260	4.38 111	0.6
167	17800	8074	4.38 111	0.5
168	22900	10387	4.38 111	0.6
169	30000	13608	4.38 111	0.5

All springs have additional travel to solid equal to 50% of the Rated Deflection. Solid Spring Height = Free Height minus 1.5 times Rated Deflection.

TYPE SLR100 4" DIMENSIONS

Size	L (in) (mm)	W (in) (mm)	H (in) (mm)	T (in) (mm)	MBD (in) (mm)	HCW (in) (mm)	HCL (in) (mm)	D (in) (mm)	E (in) (mm)	OD (in) (mm)	HT (in) (mm)	Color/Stripe											
150	11 1/2	292	5 1/2	140	12	305	1/2	13	1/2	13	3 1/2	89	10	254	5/8	16	11/8	29	5	127	83/8	213	Purple
151	11 1/2	292	5 1/2	140	12	305	1/2	13	1/2	13	3 1/2	89	10	254	5/8	16	11/8	29	5	127	81/2	216	Brown
152	11 1/2	292	5 1/2	140	12	305	1/2	13	1/2	13	3 1/2	89	10	254	5/8	16	11/8	29	5	127	83/8	213	Orange
153	11 1/2	292	5 1/2	140	12	305	1/2	13	1/2	13	3 1/2	89	10	254	5/8	16	11/8	29	5	127	83/8	213	Green
154	11 1/2	292	7	178	137/8	352	1/2	13	5/8	16	4 1/2	114	9 1/2	241	5/8	16	1 1/4	32	6	152	87/8	225	Red
155	11 1/2	292	7	178	137/8	352	1/2	13	5/8	16	4 1/2	114	9 1/2	241	5/8	16	1 1/4	32	6	152	9 1/8	232	White
156	14	356	8	203	15	381	1/2	13	5/8	16	4 1/2	114	11 3/4	298	3/4	19	13/8	35	6	152	97/8	251	Blue
157	14	356	8	203	15	381	1/2	13	5/8	16	4 1/2	114	11 3/4	298	3/4	19	13/8	35	6	152	10	254	Black
158	14	356	8	203	15	381	1/2	13	5/8	16	4 1/2	114	11 3/4	298	3/4	19	13/8	35	63/4	171	103/8	264	Yellow
159	15 1/4	384	9	229	157/8	403	1/2	13	3/4	19	6	152	13	330	7/8	22	15/8	41	63/4	171	111/8	283	Gray
160	15 1/4	384	9	229	171/8	435	1/2	13	3/4	19	6	152	13	330	7/8	22	15/8	41	73/4	197	107/8	276	Blue/Brown
161	15 1/4	384	9	229	171/8	435	1/2	13	3/4	19	6	152	13	330	7/8	22	15/8	41	73/4	197	113/8	289	Blue/Org
162	17 3/4	451	10	254	20	508	5/8	16	7/8	22	7	178	15	381	1	25	2	51	83/4	222	11 1/2	292	Blue/Red
163	17 3/4	451	10	254	20	508	5/8	16	7/8	22	7	178	15	381	1	25	2	51	83/4	222	13 1/4	337	Blue/Wh
164	17 3/4	451	10	254	20	508	5/8	16	7/8	22	7	178	15	381	1	25	2	51	83/4	222	133/8	340	Blue/Silver
165	20 1/4	514	10	254	21	533	5/8	16	1	25	8	203	17	432	1	25	2	51	93/4	248	141/8	359	Blue/Gray
166	22	559	11	279	22 1/4	565	3/4	19	1	25	8	203	18 3/4	476	1	25	2	51	10	254	153/8	391	Blue/Grn
167	22	559	11	279	22 1/4	565	3/4	19	1	25	8	203	18 3/4	476	1	25	2	51	11	279	157/8	403	Blue/Yellow
168	23	584	12	305	25	635	3/4	19	1	25	9	229	19 3/4	502	1	25	2	51	11	279	17	432	Blue/Pink
169	23	584	12	305	25	635	3/4	19	1	25	9	229	19 3/4	502	1	25	2	51	11 5/8	295	18	457	Blue/Tan

TYPE SLR100 5" RATINGS

Size	Rated Capacity (lbs) (kg)	Rated Deflection (in) (mm)	Spring Constant (lbs/in) (kg/mm)	Color/Stripe	OD (in) (mm)	HT (in) (mm)		
174	70	32	5.31 135	Purple	6	152	97/8	251
175	320	145	5.31 135	Brown	6	152	101/16	256
176	370	168	5.31 135	Orange	6	152	10	254
177	460	209	5.38 137	Green	6	152	101/2	267
178	560	254	5.38 137	Red	63/4	171	103/4	273
179	670	304	5.38 137	White	63/4	171	111/16	281
180	830	376	5.38 137	Blue	63/4	171	113/8	289
181	1000	454	5.38 137	Black	63/4	171	111/8	283
182	1240	562	5.37 136	Yellow	63/4	171	113/8	289
183	1500	680	5.37 136	Gray	73/4	197	127/16	316
184	1830	830	5.37 136	Pink	73/4	197	117/8	302
185	2230	1012	5.37 136	Silver	73/4	197	12	305
186	2710	1229	5.37 136	Tan	73/4	197	123/4	324
187	3300	1497	5.37 136	Blue/Or	83/4	222	123/4	324
188	4100	1860	5.37 136	Blue/Red	83/4	222	133/8	340
189	4900	2223	5.37 136	Blue/Wh	91/16	232	137/16	341
190	6000	2722	5.37 136	Blue/Yellow	91/2	241	145/8	371
191	7300	3311	5.37 136	Blue/Silver	91/2	241	153/16	386
192	9000	4082	5.37 136	Blue/Gray	101/4	260	155/8	397
193	11000	4990	5.37 136	Blue/Tan	101/4	260	16	406
194	13300	6033	5.37 136	Blue/Brown	11	279	161/4	413
195	16300	7394	5.37 136	Blue/Pink	113/8	289	171/8	435
196	19800	8981	5.37 136	Blue/Blk	115/8	295	18	457
197	24200	10977	5.37 136	Blue/Green	13	330	191/2	495
198	29000	13154	5.27 134	Blue/Purple	13	330	191/2	495

SLR & SLRW are also manufactured with 5" Deflection springs. Designs may vary from application to application. The following table provides ratings for a range of standard capacities. Please check with the factory for designs and dimensions.