

MASON INDUSTRIES, Inc.

Manufacturers of Vibration Control Products

350 Rabro Drive
Hauppauge, NY 11788
631/348-0282
FAX 631/348-0279

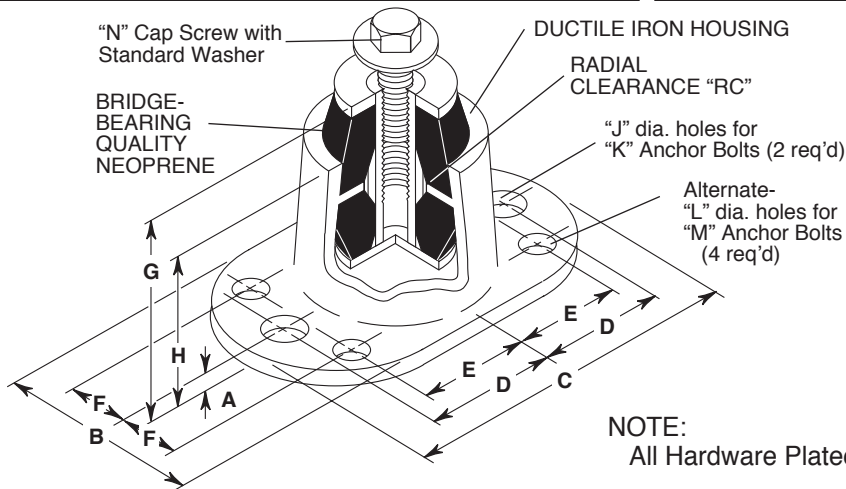
2101 W. Crescent Ave., Suite D
Anaheim, CA 92801
714/535-2727
FAX 714/535-5738

Info@Mason-Ind.com • www.Mason-Ind.com

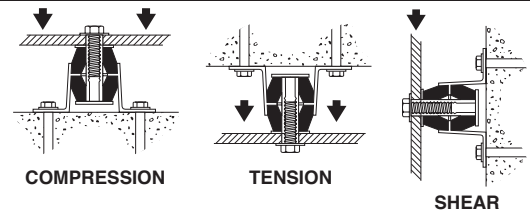
JOB NAME _____
 CUSTOMER _____
 CUSTOMER P.O. _____
 MASON M. _____
 DWG No. _____

BR

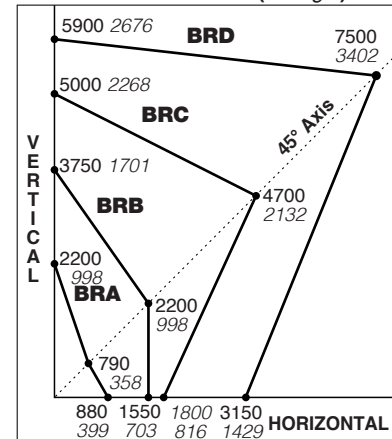
**CAPTIVE
NEOPRENE
MOUNTING**



NOTE:
All Hardware Plated



**OSHPD OPA-0201
Rated Load Curves (lbs kgs*)**



Horizontal, Vertical and 45° plotted Ratings are California OSHPD approved values having the OSHPD Anchorage Preapproval Number OPA-0201. Testing and calculations were performed to meet OSHPD criteria. BRX's have not been submitted to OSHPD.

TYPE BR DIMENSIONS (inches millimeters)

Type	A	B	C	D	E	F	G	H	J	K	L	M	N	RC
BRX	3/16 5	2 50	33/4 95	13/8 35	1 25	5/8 16	21/2 64	15/8 41	7/16 11	3/8 10	5/16 8	1/4 6	1/4 x 3/4 6 x 19	1/8 3
BRA	3/16 5	2 1/2 64	4 1/4 108	15/8 41	13/8 35	3/4 19	3 76	2 51	1/2 13	3/8 10	3/8 10	1/4 6	5/16 x 1 8 x 25	3/16 5
BRB	3/16 5	3 1/4 83	5 3/4 146	2 1/4 57	17/8 48	7/8 22	3 76	2 51	5/8 16	1/2 13	1/2 13	3/8 10	7/16 x 1 11 x 25	1/4 6
BRC	1/4 6	5 1/4 133	9 229	35/8 92	3 76	1 1/2 38	6 1/2 165	4 1/2 114	7/8 22	3/4 19	3/4 19	5/8 16	5/8 x 1 1/2 16 x 38	5/8 16
BRD	1/4 6	6 152	10 1/2 267	4 3/8 111	35/8 92	15/8 41	6 1/2 165	4 1/2 114	7/8 22	3/4 19	3/4 19	5/8 16	5/8 x 1 1/2 16 x 38	5/8 16

Type	Size (Color Mark)	Duro-meter	COMPRESSION			TENSION			SHEAR			Maximum Horizontal Static G Rating*
			Rated Capacity (lbs) (kgs)	Rated Defl (in) (mm)		Rated Capacity (lbs) (kgs)	Rated Defl (in) (mm)		Rated Capacity (lbs) (kgs)	Rated Defl (in) (mm)		
BR-	X-Green	40	30	14	0.1	30	14	0.1	10	5	0.08	12.0
	X-Red	50	45	20	3	45	20	3	15	7	2	8.0
	X-White	60	60	27	5	60	27	5	20	9	2	6.0
	A-Green	40	85	39		85	39		20	9		10.4
	A-Red	50	125	57	0.2	125	57	0.18	30	14	0.13	7.0
	A-White	60	205	93	5	205	93	5	50	23	3	4.3
	A-Yellow	70	290	132		290	132		70	32		3.0
	B-Red	50	450	204	0.2	500	227	0.18	100	45	0.15	3.4
	B-White	60	740	336	5	750	340	5	170	77	4	2.1
	B-Yellow	70	1040	472		1050	476		240	109		1.5
	C-Red	50	650	295	0.3	750	340	0.25	380	172	0.50	2.8
	C-White	60	1100	499	8	1150	522	6	500	227	13	1.6
C-Yellow	70	1540	699		1610	730		700	318		1.2	
D-White	60	2390	1084	0.3	2450	1111	0.25	750	340	0.50	1.3	
D-Yellow	70	3150	1429	8	3430	1556	6	1050	476	13	1.0	

To use approved OSHPD rated load curves:
 1) Calculate Vertical and Horizontal Forces on mounting including translations and overturning moments.
 2) Plot Horizontal Load vs Vertical Load. The point must fall within the area below the OSHPD curve.

BRIDGE-BEARING NEOPRENE SPECIFICATIONS

ORIGINAL PHYSICAL PROPERTIES	TESTED FOR AGING			COMPRESSION SET			
	(b) Tensile Strength (a)	(c) Elongat. at Break (b)	(d) Hard- ness (c)		(e) OZONE (d)		
40±5	2000 psi	450%	+15%	±15%	-40%	No Cracks	30%(max)
50±5	2250 psi	400%	+15%	±15%	-40%	No Cracks	35%(max)
60±5	2250 psi	350%	+15%	±15%	-40%	No Cracks	35%(max)
70±5	2250 psi	300%	+15%	±15%	-40%	No Cracks	35%(max)

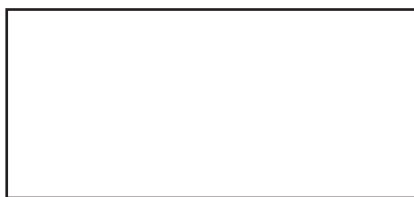
(a)ASTM D-676 (b)ASTM D-412 (c)ASTM D-573 (d)ASTM D-1149 (e)ASTM D-395

All Rated Capacities are based on proper neoprene loadings without metal to metal contact. Seismic Max. G Ratings are based on metal failure under static seismic loadings as defined in the building codes.

*Horizontal G Ratings are for quick reference only—Use OSHPD Rated Load Curves.

PLAN VIEW OF MOUNT LOCATIONS

TAG: _____
 UNIT: _____



SPECIFIED DEFLECTION

1:	6:
2:	7:
3:	8:
4:	9:
5:	10:
Sets Required:	