

MERCER



Duct Connectors

Duct Connectors are used in DUCT SYSTEMS to reduce Vibration Transmission and accommodate Expansion or Contraction. In Seismic Zones, they accommodate Differential Motion.

Internal
Flowing Arch
Square or
Rectangular
Duct Connector



External Single or Multiple Arch
Round, Square or Rectangular
Duct Connector

Construction Features

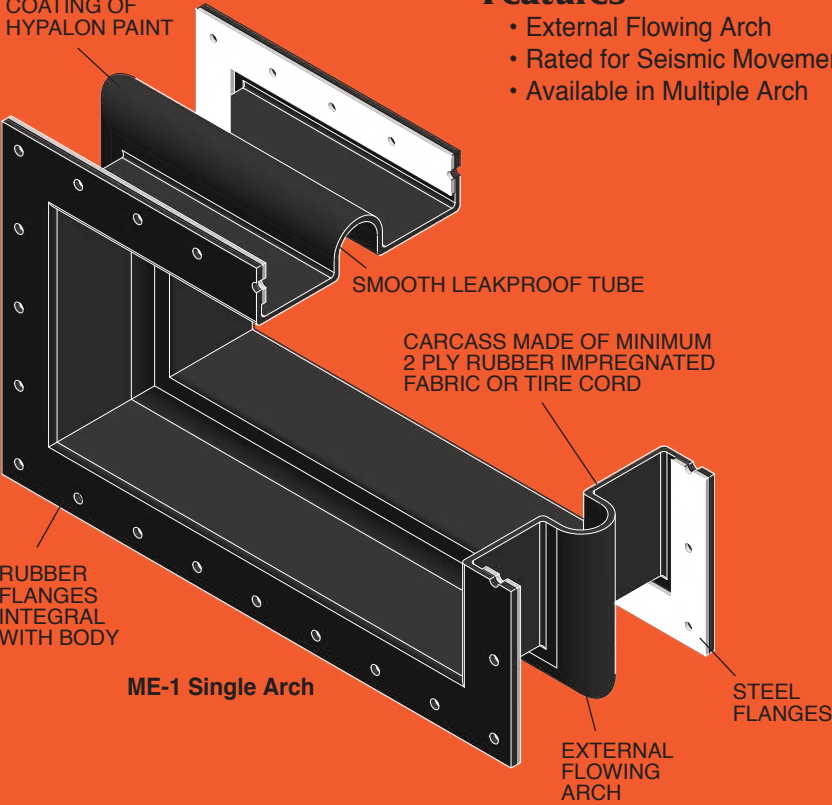
- Covers and tubes may be EPDM, Neoprene, Hypalon, Butyl, Nitrile, Viton, Natural Rubber, etc. as best suits the service.
- Reinforcement fabrics are normally Nylon, Polyester or Kevlar for high temperature.
- Sizes up to 154" in diameter, 154" square and 36" Face to Face. Smaller sizes in greater length.
- Carbon or stainless steel back up rings.
- Excellent flexibility.
- Exterior coat of Hypalon paint provides additional protection against ozone weathering and chemical exposure.
- All Duct Connectors are pressure cured in a steam chamber for structurally sound, long service life.

Rectangular Duct Connectors

External Flowing Arch

ME-1 Single, ME-2 Double and ME-3 Triple Arch

COATING OF
HYPALON PAINT

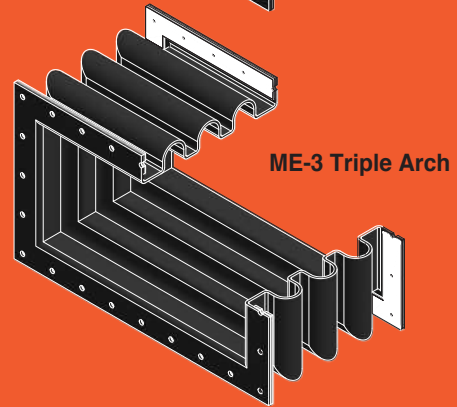
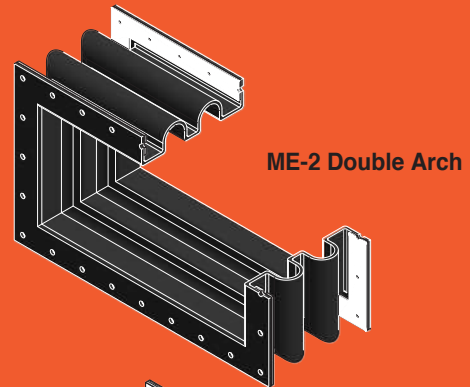


Features

- External Flowing Arch
- Rated for Seismic Movement
- Available in Multiple Arch

ME Movements (in)

Type	Compression	Extension	Lateral
ME-1	2 1/2	1 3/4	2
ME-2	5	3 1/2	4
ME-3	7 1/2	5 1/4	6

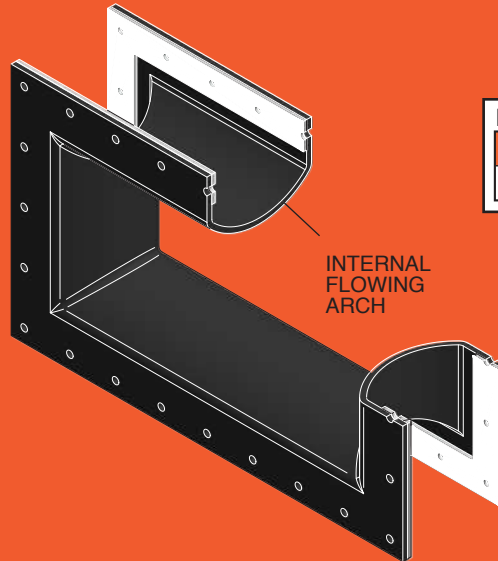


Internal Flowing Arch

MD-4

Features

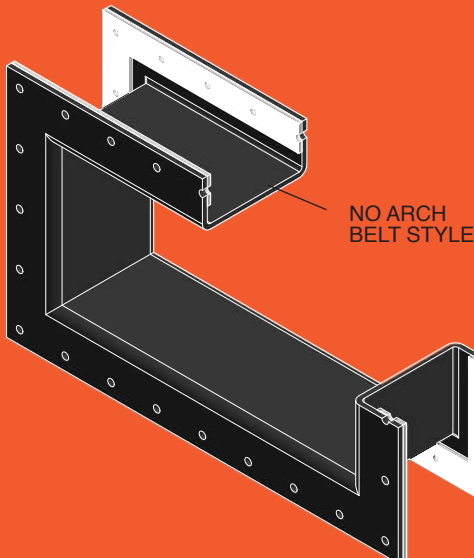
- Internal Flowing Rectangular and Square Arch
- Flanged up to 4" Flange Height
- Custom Drilled



MD-4 Movements (in)

Compression	Extension	Lateral
1	1/2	1/2

No Arch MN-4

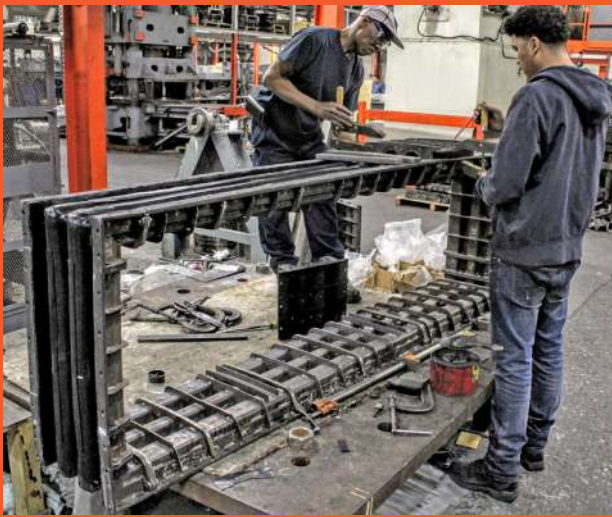


Features

- No Arch Belt Style
- Flanged up to 4" Flange Height
- Custom Drilled
- Rated to Absorb Vibration

MN-4 Movements (in)

Compression	Extension	Lateral
1/2	1/4	1/4



Building an ME-2 Double Arch Rectangular Duct Connector in the Mercer Plant.

All Steel Forms Are Made by Mercer to Your Requirements.

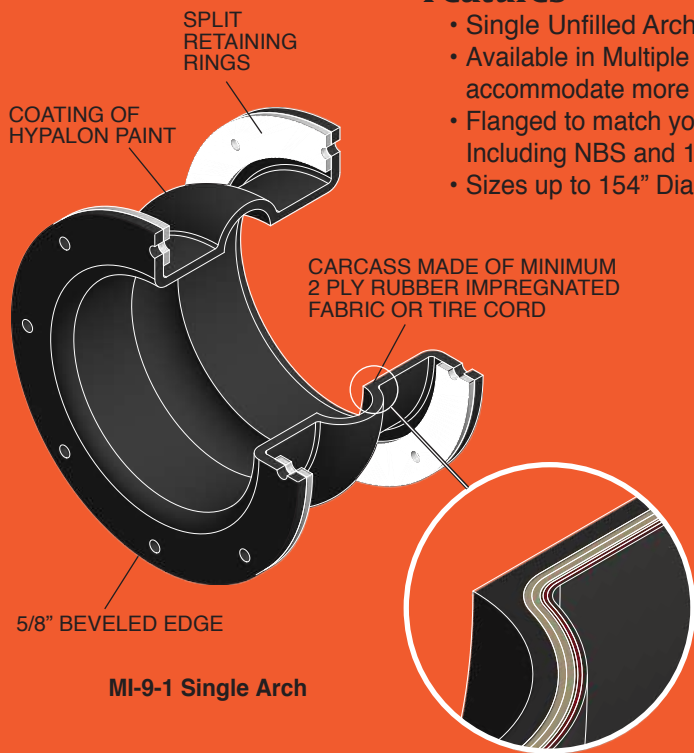


ME-2 Double Arch Rectangular Duct Connector Installed

Round Duct Connector

External Flowing Arch

MI-9

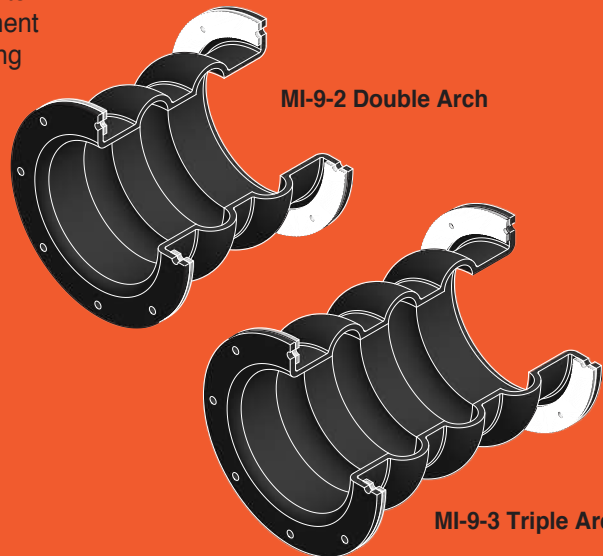


Features

- Single Unfilled Arch
- Available in Multiple Arches to accommodate more movement
- Flanged to match your drilling Including NBS and 150#
- Sizes up to 154" Diameter

MI-9 Movements (in)

Type	Compression	Extension	Lateral
MI-9-1	13/4	1	1
MI-9-2	31/2	2	2
MI-9-3	51/4	3	3



Detail of Multiple Plies

No Arch

MC-3

Features

- No Arch
- Flanged to match your drilling Including NBS and 150#
- Sizes up to 154" Diameter

MC-3 Movements (in)

Compression	Extension	Lateral
3/4	0	1/4



Rectangular and Round Sleeve Duct Connector

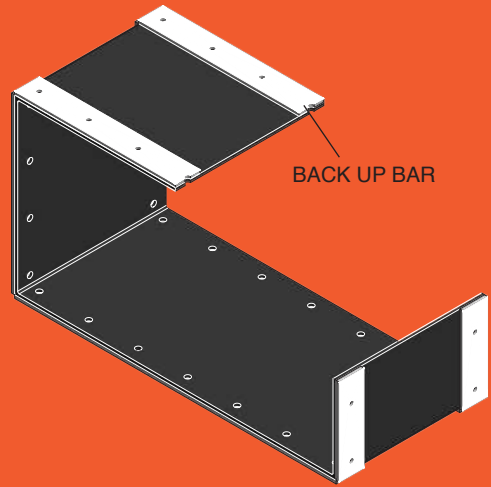
Rectangular No Arch

MS-4

Features

- No Arch

MS-4 Movements (in)		
Compression	Extension	Lateral
1/2	1/4	1/4



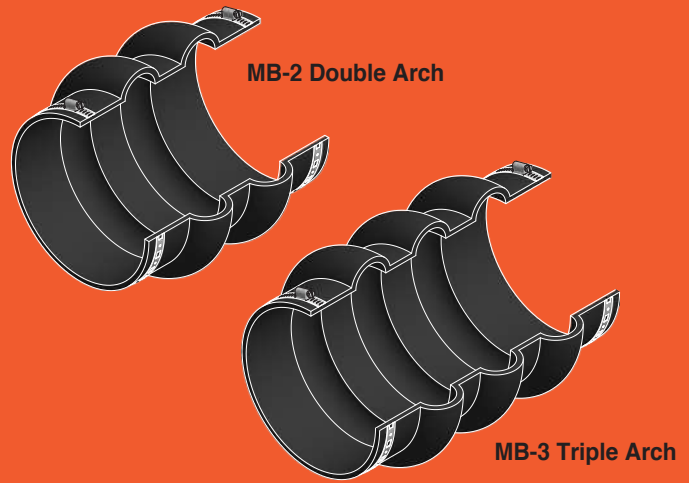
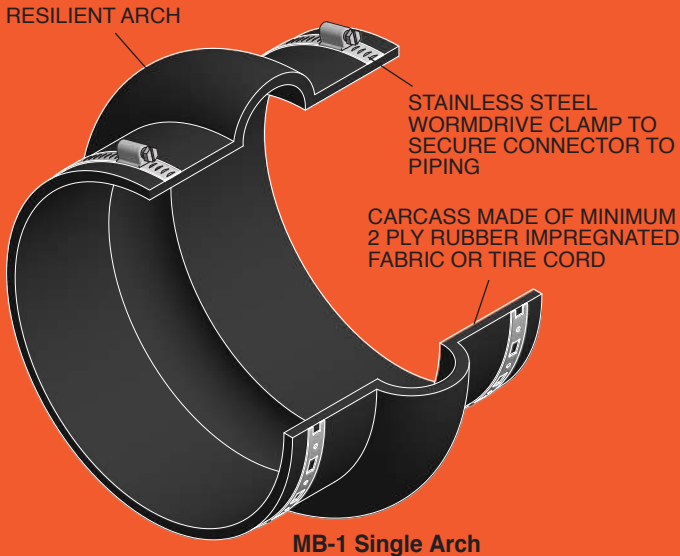
External Flowing Arch

MB-1 Single, MB-2 Double and MB-3 Triple Arch

Features

- External Flowing Arch
- Rated for Seismic Movement
- Available in Multiple Arch
- Slides over various pipe OD's

MB Movements (in)			
Type	Compression	Extension	Lateral
MB-1	13/4	1	1
MB-2	31/2	2	2
MB-3	51/4	3	3



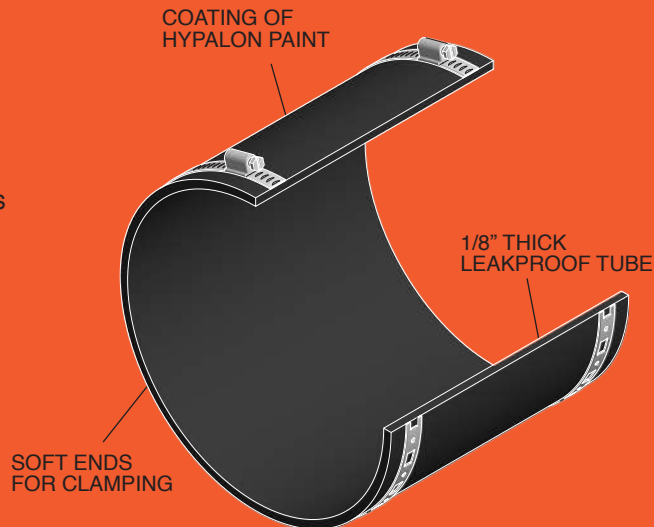
No Arch

MA-1

Features

- No Arch Sleeve
- Slides over various pipe OD's

MA-1 Movements (in)		
Compression	Extension	Lateral
1/2	1/4	1/4



MERCER RUBBER Co.

350 Rabro Drive • Hauppauge, NY 11788 • Tel 631-582-1524 • FAX 631-348-0279

Email Info@Mercer-Rubber.com • Website www.Mercer-Rubber.com

Wu1806
6/18